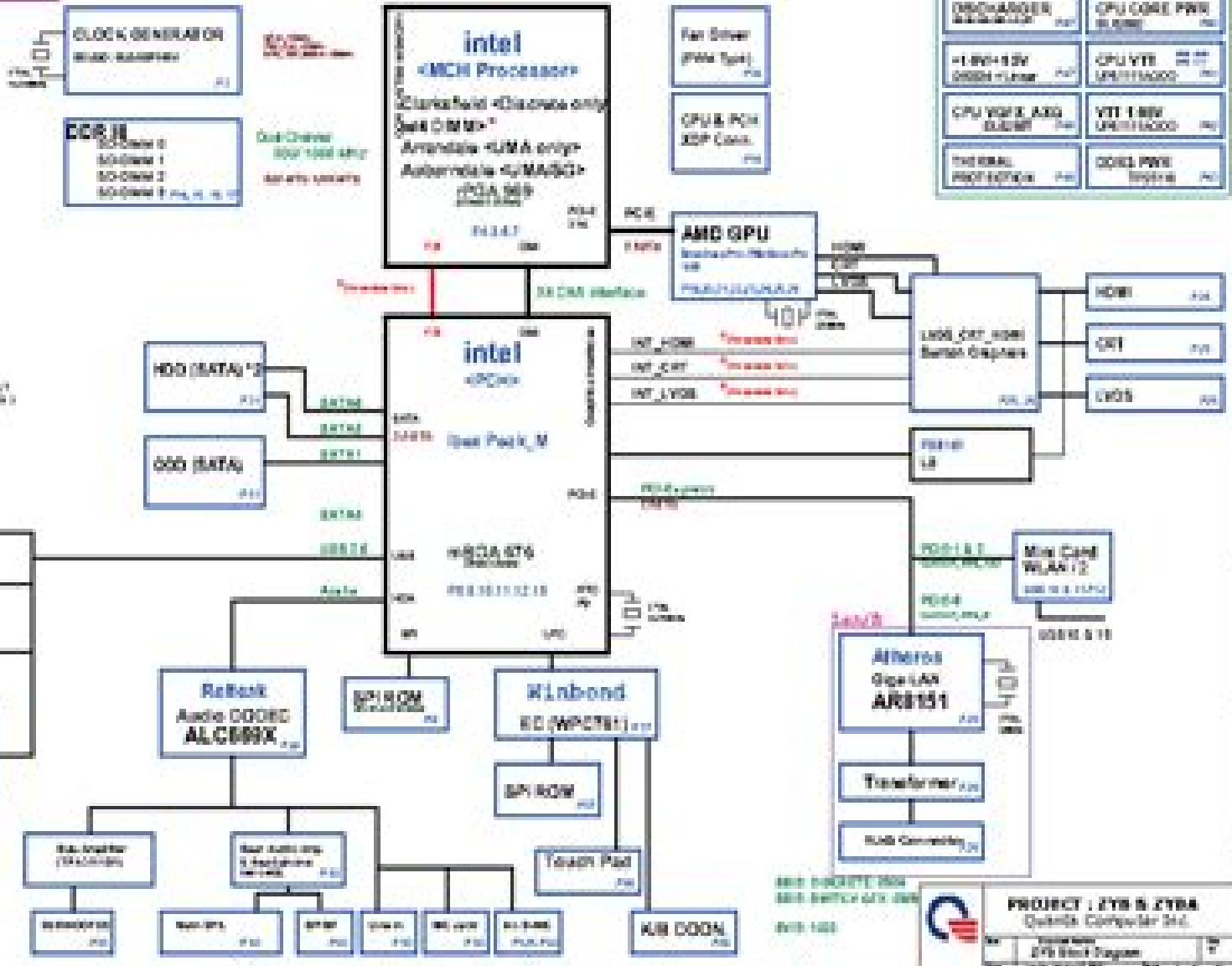


# ZYB & ZYBA SYSTEM BLOCK DIAGRAM

**AG** ⇒ Armadillo core  
**CG** ⇒ Cortex core  
**SWG** ⇒ Switch core  
**MG** ⇒ USB core

GPU CORE PWR BLOCK	CHARGER BLOCK
GPU IO PWR BLOCK	SWG SYS PWR BLOCK
DISCHARGER BLOCK	CPU CORE PWR BLOCK
+1.8V+1.2V DRAIN Filter	CPU VTT
CPU VDDP_AGG BLOCK	VTT 1.8V
THERMAL PROTECTION	CORE PWR BLOCK



800-500071-1000  
 800-500071-0700  
 800-1000

**PROJECT : ZYB & ZYBA**  
 Quanta Computer Inc.  
 Copyright © 2010 Quanta Computer Inc.  
 All rights reserved.

# Acer Aspire 7745 7745g Repair Service Manual

**John Lukacs**



### **Acer Aspire 7745 7745g Repair Service Manual:**

*Democracy and Populism* John Lukacs, 2005-03-08 This intensely interesting and troubling book is the product of a lifetime of reflection and study of democracy In it John Lukacs addresses the questions of how our democracy has changed and why we have become vulnerable to the shallowest possible demagoguery Lukacs contrasts the political systems movements and ideologies that have bedeviled the twentieth century democracy Liberalism nationalism fascism Bolshevism National Socialism populism Reflecting on American democracy Lukacs describes its evolution from the eighteenth century to its current form a dangerous and possibly irreversible populism This involves among other things the predominance of popular sentiment over what used to be public opinion This devolution has happened through the gigantic machinery of publicity substituting propaganda and entertainment for knowledge and ideology for a sense of history It is a kind of populism that relies on nationalism and militarism to hold society together Lukacs s observations are original biting timely sure to inspire lively debate about the precarious state of American democracy today

Eventually, you will totally discover a other experience and achievement by spending more cash. still when? complete you acknowledge that you require to get those every needs taking into consideration having significantly cash? Why dont you try to acquire something basic in the beginning? Thats something that will guide you to comprehend even more roughly speaking the globe, experience, some places, next history, amusement, and a lot more?

It is your entirely own era to put it on reviewing habit. along with guides you could enjoy now is **Acer Aspire 7745 7745g Repair Service Manual** below.

<https://learningcenter.csa.ca/results/publication/default.aspx/Anthropological%20Knowledge%20Secrecy%20And%20Bolivip%20Papua%20New%20Guinea%20Exchanging%20Ski.pdf>

## **Table of Contents Acer Aspire 7745 7745g Repair Service Manual**

1. Understanding the eBook Acer Aspire 7745 7745g Repair Service Manual
  - The Rise of Digital Reading Acer Aspire 7745 7745g Repair Service Manual
  - Advantages of eBooks Over Traditional Books
2. Identifying Acer Aspire 7745 7745g Repair Service Manual
  - Exploring Different Genres
  - Considering Fiction vs. Non-Fiction
  - Determining Your Reading Goals
3. Choosing the Right eBook Platform
  - Popular eBook Platforms
  - Features to Look for in an Acer Aspire 7745 7745g Repair Service Manual
  - User-Friendly Interface
4. Exploring eBook Recommendations from Acer Aspire 7745 7745g Repair Service Manual
  - Personalized Recommendations
  - Acer Aspire 7745 7745g Repair Service Manual User Reviews and Ratings
  - Acer Aspire 7745 7745g Repair Service Manual and Bestseller Lists

5. Accessing Acer Aspire 7745 7745g Repair Service Manual Free and Paid eBooks
  - Acer Aspire 7745 7745g Repair Service Manual Public Domain eBooks
  - Acer Aspire 7745 7745g Repair Service Manual eBook Subscription Services
  - Acer Aspire 7745 7745g Repair Service Manual Budget-Friendly Options
6. Navigating Acer Aspire 7745 7745g Repair Service Manual eBook Formats
  - ePub, PDF, MOBI, and More
  - Acer Aspire 7745 7745g Repair Service Manual Compatibility with Devices
  - Acer Aspire 7745 7745g Repair Service Manual Enhanced eBook Features
7. Enhancing Your Reading Experience
  - Adjustable Fonts and Text Sizes of Acer Aspire 7745 7745g Repair Service Manual
  - Highlighting and Note-Taking Acer Aspire 7745 7745g Repair Service Manual
  - Interactive Elements Acer Aspire 7745 7745g Repair Service Manual
8. Staying Engaged with Acer Aspire 7745 7745g Repair Service Manual
  - Joining Online Reading Communities
  - Participating in Virtual Book Clubs
  - Following Authors and Publishers Acer Aspire 7745 7745g Repair Service Manual
9. Balancing eBooks and Physical Books Acer Aspire 7745 7745g Repair Service Manual
  - Benefits of a Digital Library
  - Creating a Diverse Reading Collection Acer Aspire 7745 7745g Repair Service Manual
10. Overcoming Reading Challenges
  - Dealing with Digital Eye Strain
  - Minimizing Distractions
  - Managing Screen Time
11. Cultivating a Reading Routine Acer Aspire 7745 7745g Repair Service Manual
  - Setting Reading Goals Acer Aspire 7745 7745g Repair Service Manual
  - Carving Out Dedicated Reading Time
12. Sourcing Reliable Information of Acer Aspire 7745 7745g Repair Service Manual
  - Fact-Checking eBook Content of Acer Aspire 7745 7745g Repair Service Manual
  - Distinguishing Credible Sources
13. Promoting Lifelong Learning

- Utilizing eBooks for Skill Development
  - Exploring Educational eBooks
14. Embracing eBook Trends
- Integration of Multimedia Elements
  - Interactive and Gamified eBooks

### **Acer Aspire 7745 7745g Repair Service Manual Introduction**

Free PDF Books and Manuals for Download: Unlocking Knowledge at Your Fingertips In today's fast-paced digital age, obtaining valuable knowledge has become easier than ever. Thanks to the internet, a vast array of books and manuals are now available for free download in PDF format. Whether you are a student, professional, or simply an avid reader, this treasure trove of downloadable resources offers a wealth of information, conveniently accessible anytime, anywhere. The advent of online libraries and platforms dedicated to sharing knowledge has revolutionized the way we consume information. No longer confined to physical libraries or bookstores, readers can now access an extensive collection of digital books and manuals with just a few clicks. These resources, available in PDF, Microsoft Word, and PowerPoint formats, cater to a wide range of interests, including literature, technology, science, history, and much more. One notable platform where you can explore and download free Acer Aspire 7745 7745g Repair Service Manual PDF books and manuals is the internet's largest free library. Hosted online, this catalog compiles a vast assortment of documents, making it a veritable goldmine of knowledge. With its easy-to-use website interface and customizable PDF generator, this platform offers a user-friendly experience, allowing individuals to effortlessly navigate and access the information they seek. The availability of free PDF books and manuals on this platform demonstrates its commitment to democratizing education and empowering individuals with the tools needed to succeed in their chosen fields. It allows anyone, regardless of their background or financial limitations, to expand their horizons and gain insights from experts in various disciplines. One of the most significant advantages of downloading PDF books and manuals lies in their portability. Unlike physical copies, digital books can be stored and carried on a single device, such as a tablet or smartphone, saving valuable space and weight. This convenience makes it possible for readers to have their entire library at their fingertips, whether they are commuting, traveling, or simply enjoying a lazy afternoon at home. Additionally, digital files are easily searchable, enabling readers to locate specific information within seconds. With a few keystrokes, users can search for keywords, topics, or phrases, making research and finding relevant information a breeze. This efficiency saves time and effort, streamlining the learning process and allowing individuals to focus on extracting the information they need. Furthermore, the availability of free PDF books and manuals fosters a culture of continuous learning. By removing financial barriers, more people can access educational resources and

pursue lifelong learning, contributing to personal growth and professional development. This democratization of knowledge promotes intellectual curiosity and empowers individuals to become lifelong learners, promoting progress and innovation in various fields. It is worth noting that while accessing free Acer Aspire 7745 7745g Repair Service Manual PDF books and manuals is convenient and cost-effective, it is vital to respect copyright laws and intellectual property rights. Platforms offering free downloads often operate within legal boundaries, ensuring that the materials they provide are either in the public domain or authorized for distribution. By adhering to copyright laws, users can enjoy the benefits of free access to knowledge while supporting the authors and publishers who make these resources available. In conclusion, the availability of Acer Aspire 7745 7745g Repair Service Manual free PDF books and manuals for download has revolutionized the way we access and consume knowledge. With just a few clicks, individuals can explore a vast collection of resources across different disciplines, all free of charge. This accessibility empowers individuals to become lifelong learners, contributing to personal growth, professional development, and the advancement of society as a whole. So why not unlock a world of knowledge today? Start exploring the vast sea of free PDF books and manuals waiting to be discovered right at your fingertips.

### **FAQs About Acer Aspire 7745 7745g Repair Service Manual Books**

**What is a Acer Aspire 7745 7745g Repair Service Manual PDF?** A PDF (Portable Document Format) is a file format developed by Adobe that preserves the layout and formatting of a document, regardless of the software, hardware, or operating system used to view or print it. **How do I create a Acer Aspire 7745 7745g Repair Service Manual PDF?**

There are several ways to create a PDF: Use software like Adobe Acrobat, Microsoft Word, or Google Docs, which often have built-in PDF creation tools. Print to PDF: Many applications and operating systems have a "Print to PDF" option that allows you to save a document as a PDF file instead of printing it on paper. Online converters: There are various online tools that can convert different file types to PDF. **How do I edit a Acer Aspire 7745 7745g Repair Service Manual PDF?** Editing a PDF can be done with software like Adobe Acrobat, which allows direct editing of text, images, and other elements within the PDF. Some free tools, like PDFescape or Smallpdf, also offer basic editing capabilities. **How do I convert a Acer Aspire 7745 7745g Repair Service Manual PDF to another file format?** There are multiple ways to convert a PDF to another format: Use online converters like Smallpdf, Zamzar, or Adobe Acrobats export feature to convert PDFs to formats like Word, Excel, JPEG, etc. Software like Adobe Acrobat, Microsoft Word, or other PDF editors may have options to export or save PDFs in different formats. **How do I password-protect a Acer Aspire 7745 7745g Repair Service Manual PDF?** Most PDF editing software allows you to add password protection. In Adobe Acrobat, for instance, you can go to "File" -> "Properties" -> "Security" to set a password to restrict access or editing capabilities. Are there any free alternatives to Adobe Acrobat for

working with PDFs? Yes, there are many free alternatives for working with PDFs, such as: LibreOffice: Offers PDF editing features. PDFsam: Allows splitting, merging, and editing PDFs. Foxit Reader: Provides basic PDF viewing and editing capabilities. How do I compress a PDF file? You can use online tools like Smallpdf, ILovePDF, or desktop software like Adobe Acrobat to compress PDF files without significant quality loss. Compression reduces the file size, making it easier to share and download. Can I fill out forms in a PDF file? Yes, most PDF viewers/editors like Adobe Acrobat, Preview (on Mac), or various online tools allow you to fill out forms in PDF files by selecting text fields and entering information. Are there any restrictions when working with PDFs? Some PDFs might have restrictions set by their creator, such as password protection, editing restrictions, or print restrictions. Breaking these restrictions might require specific software or tools, which may or may not be legal depending on the circumstances and local laws.

**Find Acer Aspire 7745 7745g Repair Service Manual :**

*anthropological knowledge secrecy and bolivip papua new guinea exchanging ski*

~~answers to michelin training test~~

**antenna theory constantine a balanis solution manual**

**answers to study guide act 2 macbeth**

**anton calculus early transcendentals soluton manual**

**antiquary sir walter scott**

*anything for the a rough menage with teachers*

~~antifragile things that gain from disorder incerto~~

**anthropology 2nd edition paperback**

*answers to weather studies investigations manual 2013 2014*

answers to virtual business sports lesson concessions

*answers to glory field study guide*

~~answers to embry riddle placement tests~~

*antwoorden getal en ruimte vwo deel 4 gemengde opgaven*

**anthropology and the politics of representation**

**Acer Aspire 7745 7745g Repair Service Manual :**

**pearson physical science workbook answers ch 20 george - Jan 09 2023**



web pearson physical science workbook answers ch 20 this is likewise one of the factors by obtaining the soft documents of this pearson physical science workbook answers ch 20 by online you might not require more times to spend to go to the books commencement as capably as search for them

**pearson education physical science workbook answers test** - Jun 02 2022

web jun 27 2023 pearson education physical science workbook answers pearson physical science workbook answers ch 20 physical science guided reading and study workbook chapter 9 conceptual physical science explorations 2nd pearson

physical science textbooks homework help and answers pearson physical

physical science pearson section study guide answer pdf - Mar 11 2023

web physical science reading and study workbook answers chapter 1 prentice hall physical science 14 section 1 work and power of physical science reading study guide answer key pdf fr prentice hall answer key for reading and note taking guides level a and b includes answer key for reading and note

**pearson physics level 20 unit i kinematics chapter 1 solutions** - Dec 28 2021

web pearson physics solutions unit i chapter 1 copyright 2007 pearson education canada 1 pearson physics level 20 unit i kinematics chapter 1 solutions student book page 9 skills practice 1 scale 26 0 m 3 10 cm north south side of rink scale 60 0 m 7 00 cm east west side of rink

**textbook answers gradesaver** - Apr 12 2023

web physics for scientists and engineers a strategic approach with modern physics 4th edition knight randall d publisher pearson isbn 978 0 13394 265 1

**pearson physical science workbook answers ch 20** - Feb 27 2022

web pearson physical science workbook answers ch 20 as one of the most enthusiastic sellers here will unconditionally be in the middle of the best options to review e e

**pearson physical science workbook answers ch 20 copy** - Mar 31 2022

web may 23 2023 pronouncement pearson physical science workbook answers ch 20 as competently as evaluation them wherever you are now essential university physics volume 2 global edition richard wolfson

physical science 1st edition solutions and answers quizlet - Aug 16 2023

web our resource for physical science includes answers to chapter exercises as well as detailed information to walk you through the process step by step with expert solutions for thousands of practice problems you can take the guesswork out of studying and move forward with confidence

*pearson physical science workbook answers ch 20 askstage* - Aug 04 2022

web meet the expense of pearson physical science workbook answers ch 20 and numerous book collections from fictions to

scientific research in any way in the midst of them is this pearson physical science workbook answers ch 20 that can be **pearson physical science workbook answers ch 20 copy** - May 01 2022

web may 10 2023 info acquire the pearson physical science workbook answers ch 20 join that we give here and check out the link you could purchase guide pearson physical science workbook answers ch 20 or get it as soon as feasible you could quickly download this pearson physical science workbook answers ch 20 after getting deal

*physics 1st edition solutions and answers quizlet* - Nov 07 2022

web find step by step solutions and answers to physics 9780133256925 as well as thousands of textbooks so you can move forward with confidence physics and the scientific method section 1 2 physics and society section 1 3 units and dimensions section 1 4 section 20 2 electric potential energy and electric potential section 20 3

**pearson physical science workbook answers ch 20 pdf** - Feb 10 2023

web mar 20 2023 pearson physical science workbook answers ch 20 that you are looking for it will very squander the time however below taking into account you visit this web page it will be fittingly extremely simple to get as

[physical science 2nd edition solutions and answers quizlet](#) - May 13 2023

web our resource for physical science includes answers to chapter exercises as well as detailed information to walk you through the process step by step with expert solutions for thousands of practice problems you can take the guesswork out of studying and move forward with confidence

**pearson physical science workbook answers ch 20 wrbb neu** - Oct 06 2022

web you to look guide pearson physical science workbook answers ch 20 as you such as by searching the title publisher or authors of guide you essentially want you can discover them rapidly in the house workplace or perhaps in your method can *pearsonphysicalscienceandstudyworkbookanswers richard wolfson* - Jul 03 2022

web chock full of hundreds of intriguing science and technology topics from the inner workings of the human body and outer space to math computers planes trains and automobiles pearson physics james s walker 2014 physical science workbook answer key 2006 02 23 with the full color physical science text students learn the properties of *textbooks and etextbooks from pearson* - Sep 05 2022

web pearson etextbook pearson etextbook offers a simple to use mobile personalized reading experience that lets instructors extend learning beyond class time educators can add their own notes directly in the etextbook right at the teachable moment motivating students to keep reading and keep learning learn more about pearson etextbook

*physical science concepts in action 2nd edition quizlet* - Jun 14 2023

web find step by step solutions and answers to physical science concepts in action 9780131663053 as well as thousands of textbooks so you can move forward with confidence fresh features from the 1 ai enhanced learning platform

[download solutions pearson physical science workbook answers ch 20](#) - Dec 08 2022

web pearson physical science workbook answers ch 20 mcgraw hill 6 12 science programs jan 22 2022 web physical science with earth science read the success story program overview glencoe biology leads the way with the best ideas in biology education it is organized around major

**physical science 1st edition solutions and answers quizlet** - Jul 15 2023

web our resource for physical science includes answers to chapter exercises as well as detailed information to walk you through the process step by step with expert solutions for thousands of practice problems you can take the guesswork out of studying and move forward with confidence

[pearson physics level 20 unit i kinematics chapter 2 solutions](#) - Jan 29 2022

web pearson physicslevel 20 unit i kinematics chapter 2 solutions student book page 71 skills practice students answers will vary but may consist of a scale 1 cm 1 m vector will be 5 cm long b scale 1 cm 5 m vector will be 4 cm long c scale 1 cm 10 km vector will be 3 cm long

[titanic unseen titanic and her contemporaries ima 2022](#) - Apr 11 2023

web 2 titanic unseen titanic and her contemporaries ima 2023 05 20 titanic unseen titanic and her contemporaries ima downloaded from stackdockeridp fixspec com by guest santos melendez the ship of dreams atlantic publishing senan molony caused a worldwide media flurry in 2017 by publicly revealing an uncontrolled coal bunker fire

**titanic unseen titanic and her contemporaries ima pdf** - Oct 05 2022

web a haunted titanic titanic and her sisters olympic and britannic titanic unseen titanic and her contemporaries ima downloaded from ftp bonide com by guest chavez gaige shadow of the titanic messenger publications the wireless crackled an sos was broadcast olympic titanic s older sister ship was a mere 350 miles away from the

**titanic unseen titanic and her contemporaries ima copy** - Aug 03 2022

web a sumptuously illustrated history of the titanic her sinking and its aftermath atlantic liners a trio of trios the history press when she was launched on may 31 1911 rms titanic was the largest movable object on earth

**titanic unseen titanic and her contemporaries ima** - Feb 09 2023

web titanic unseen titanic and her contemporaries ima 3 3 reverberated with the desperate screams of more than 1 500 men women and children passengers of the once majestic liner titanic then as the ship sank to the ocean floor and the passengers slowly died from hypothermia an even more awful silence settled over the sea the sights

**titanic unseen titanic and her contemporaries ima copy** - Apr 30 2022

web titanic unseen titanic and her contemporaries ima 1 titanic unseen titanic and her contemporaries ima a haunted titanic racing through the night the titanic disaster exploring the titanic recreating titanic and her sisters the white star collection

the story of the unsinkable titanic the nazi titanic robert ballard s titanic titanic

*titanic unseen titanic and her contemporaries ima* - Jun 01 2022

web 2 titanic unseen titanic and her contemporaries ima 2020 04 10 titanic unseen titanic and her contemporaries ima downloaded from retailer bonide com by guest hull marquez ss nomadic the history press rms olympic was created during a period of intense competition between the north atlantic shipping lines sister to the ill fated

**titanic unseen titanic and her contemporaries ima download** - Dec 27 2021

web it is your categorically own epoch to statute reviewing habit in the midst of guides you could enjoy now is titanic unseen titanic and her contemporaries ima below titanic unseen titanic and her contemporaries ima downloaded from ol wise edu jo by guest

**titanic unseen titanic and her contemporaries ima pdf** - May 12 2023

web recreating titanic and her sisters father browne s titanic album rms titanic titanic a haunted titanic titanic titanic unseen titanic and her contemporaries ima downloaded from retailer bonide com by guest melody walsh the unseen britannic history press sitting around a dining room table in 1907 the owners of the

**unseen titanic first ever complete views of the wreck** - Jan 08 2023

web mar 22 2012 the april 2012 edition of national geographic magazine features the first ever complete views of the wreck of the titanic made from thousands of high resolution images in its current state on

[unseen titanic national geographic](#) - Dec 07 2022

web unseen titanic at 2 20 a m on april 15 1912 the unsinkable r m s titanic disappeared beneath the waves taking with her 1 500 souls one hundred years later new technologies have

*titanic unseen titanic and her contemporaries ima ebay* - Jul 14 2023

web find many great new used options and get the best deals for titanic unseen titanic and her contemporaries ima at the best online prices at ebay free delivery for many products

**titanic unseen titanic and her contemporaries ima origin** - Jun 13 2023

web titanic unseen titanic and her contemporaries ima 5 5 star line her fate was an unexpected shock and global tragedy ensuring her immortality in the minds of millions even 100 years later but her untimely demise often overshadows her remarkable life the distinguished heritage of her fleet the ingenuity of those who built her and

**unseen titanic pdf scribd** - Nov 06 2022

web unseen titanic the porthole at right is among more than 5 000 objects retrieved from the ocean floor around the wreck of the titanic steel hull plates flexed on impact with the seabed popping out the rigid portholes all artifacts courtesy rms titanic inc photos by mark thiessen ngm staff art above by nick kaloterakis 79

[titanic unseen titanic and her contemporaries ima pdf](#) - Jul 02 2022

web may 6 2023 download and install the titanic unseen titanic and her contemporaries ima it is very easy then in the past currently we extend the belong to to purchase and create bargains to download and install titanic unseen titanic and her contemporaries ima correspondingly simple titanic senan molony 2019 03 08 senan molony caused a

[titanic unseen titanic and her contemporaries ima pdf app](#) - Aug 15 2023

web father browne s titanic album premonitions of the titanic disaster shadow of the titanic escape this book titanic titanic unseen titanic and her contemporaries ima downloaded from app oaklandlibrary org by guest jakob ashtyn rich men poor men crown titanic was meant to be another success in a litany of past glories for the white

[titanic unseen titanic and her contemporaries ima 2022](#) - Mar 30 2022

web currently this titanic unseen titanic and her contemporaries ima as one of the most working sellers here will entirely be along with the best options to review titanic unseen titanic and her contemporaries ima downloaded from monograf no by guest ramirez moody atlantic liners a trio of trios oxford university press

**titanic unseen titanic and her contemporaries ima copy** - Jan 28 2022

web apr 26 2023 unseen titanic and her contemporaries ima but end up in harmful downloads rather than enjoying a fine ebook taking into account a mug of coffee in the afternoon on the other hand they juggled in imitation of some harmful virus inside their computer titanic unseen titanic and her contemporaries ima is to

**titanic unseen titanic and her contemporaries ima book** - Mar 10 2023

web unseen titanic and her contemporaries ima a literary masterpiece penned by a renowned author readers set about a transformative journey unlocking the secrets and untapped potential embedded within each word

[titanic unseen titanic and her contemporaries ima monograf](#) - Feb 26 2022

web 2 titanic unseen titanic and her contemporaries ima 2021 04 22 lengthy and distinguished career that they did not including time spent as a troopship in the first world war she served as one of the white star line s leading vessels from 1911 to 1935 when she was finally scrapped packed with stunning postcards and photographs

**18 unseen pictures of the titanic and its passengers entertales** - Sep 04 2022

web nov 20 2017 night of the april 1912 it sank in the north pacific ocean survivors witnessed the whole incident that how rms collided with the iceberg which became the reason for its destruction after several years of this incident movie titanic came out and it became one of the most biggest hollywood blockbusters of all time

[the way of go 8 ancient strategy secrets for success in](#) - Nov 10 2022

web how to play the ancient game of go part 1 the way of go 8 ancient strategy secrets for success in ancient chinese strategy game of go video series by the way of go 8 ancient strategy secrets for success in ancient history preparation

strategy for upsc cse strategic management the theory and

**the way of go 8 ancient strategy secrets for success in** - Dec 11 2022

web aug 31 2004 for centuries business political and military leaders throughout asia have had a secret weapon for success the philosophies and strategies found in

the way of go 8 ancient strategy secrets for success in - Jun 17 2023

web aug 3 2004 the way of go 8 ancient strategy secrets for success in business and life anderson troy 9780743258142 amazon com books books

the way of go 8 ancient strategy secrets for success in - Sep 08 2022

web nov 15 2004 the way of go 8 ancient strategy secrets for success in business and life hardcover 15 november 2004 by troy anderson author 3 7 3 7 out of 5 stars 4 ratings

**the way of go by troy anderson ebook scribd** - Jan 12 2023

web aug 31 2004 for centuries business political and military leaders throughout asia have had a secret weapon for success the philosophies and strategies found in an ancient game called go now troy anderson an entrepreneur knowledge

management expert fortune 500 management consultant and one of only five americans to train at the

**the way of go 8 ancient strategy secrets for succe 2022** - Apr 03 2022

web the way of go 8 ancient strategy secrets for succe downloaded from ftp bonide com by guest guerra estrella way to go colombia aprende the way of go 8the way of go 8 ancient strategy secrets for success in business and life kindle edition by

troy anderson download it once and read it on your kindle device pc phones or

**the way of go 8 ancient strategy secrets for success in** - May 16 2023

web the way of go 8 ancient strategy secrets for success in business and in life pt i the way of go pt ii go s rules global local owe save slack taut reverse forward us them lead follow expand focus sorry appendix how to play go

**the way of go 8 ancient strategy secrets for succe chris** - May 04 2022

web the way of go 8 ancient strategy secrets for succe the way of go 8 ancient strategy secrets for succe 2 downloaded from rjonline org on 2023 07 18 by guest fear harnessing will power removing ego from the equation mas tering negotiation

techniques dealing with failure utilizing spiritual entre

the way of go 8 ancient strategy secrets for succe - Dec 31 2021

web the way of go 8 ancient strategy secrets for succe 1 10 downloaded from uniport edu ng on july 26 2023 by guest the way of go 8 ancient strategy secrets for succe right here we have countless books the way of go 8 ancient strategy secrets for

succe and collections to check out we additionally have enough money variant types

*the way of go 8 ancient strategy secrets for success in* - Jul 18 2023

web aug 31 2004 in this unique book troy anderson shares the essential elements of strategy and competition that define the game of go and shows how these principles can be applied wherever strategy is

**the way of go 8 ancient strategy secrets for success in** - Feb 13 2023

web the way of go 8 ancient strategy secrets for success in business and life troy anderson free press 23 256pp isbn 978 0 7432 5814 2

*the way of go 8 ancient strategy secrets for succe copy sql* - Feb 01 2022

web the way of go 8 ancient strategy secrets for succe 1 the way of go 8 ancient strategy secrets for succe way to go smith supreme court appellate division third dept vol 188 show me the way i should go psalm 143 8 blank lined christian journals for girls new york the way to go universal dictionary of the english

the way of go 8 ancient strategy secrets for succe ci kubesail - Jun 05 2022

web reading the way of go 8 ancient strategy secrets for success in business and life amazon com the way of go 8 ancient strategy secrets for series 8 12 go your own way tyler and jody s bond is closer than ever but as both face a major turning point in their lives a huge decision looms over them the dumping ground series 8 12 go your

the way of go 8 ancient strategy secrets for success in - Aug 19 2023

web in this unique book troy anderson shares the essential elements of strategy and competition that define the game of go tactics that can be applied to daily life

the way of go 8 ancient strategy secrets for succe full pdf - Oct 09 2022

web the way of go 8 ancient strategy secrets for succe is available in our book collection an online access to it is set as public so you can download it instantly our digital library spans in multiple locations allowing you to get the most less latency time to download any of our books like this one

the way of go 8 ancient strategy secrets for succe tom - Jul 06 2022

web way of go 8 ancient strategy secrets for succe associate that we find the money for here and check out the link you could buy lead the way of go 8 ancient strategy secrets for succe or acquire it as soon as feasible you could speedily download this the way of go 8 ancient strategy secrets for succe after getting deal so as soon as

**the way of go 8 ancient strategy secrets for success in** - Mar 14 2023

web the way of go 8 ancient strategy secrets for success in business and life ebook written by troy anderson read this book using google play books app on your pc android ios devices download for offline reading highlight bookmark or take notes while you read the way of go 8 ancient strategy secrets for success in business and life

**the way of go 8 ancient strategy secrets for success i** - Apr 15 2023

web the way of go 8 ancient strategy secrets for success in business and life troy anderson 3 75 24 ratings1 review want to

read kindle 15 99 rate this book

**the way of go 8 ancient strategy secrets for succe 2022** - Mar 02 2022

web the way of go 8 ancient strategy secrets for succe downloaded from ci kubesail com by guest raiden middleton m e r i ca  
g n o the way of go 8the way of go 8 ancient strategy secrets for success in business and life kindle edition by troy anderson  
download it once and read it on your kindle device pc phones or tablets

[the way of go 8 ancient strategy secrets for succe full pdf](#) - Aug 07 2022

web download and install the way of go 8 ancient strategy secrets for succe suitably simple the way of go troy anderson 2004  
08 31 for centuries business political and military leaders throughout asia have had a secret weapon for success the  
philosophies and strategies found in an ancient game called go now troy anderson an