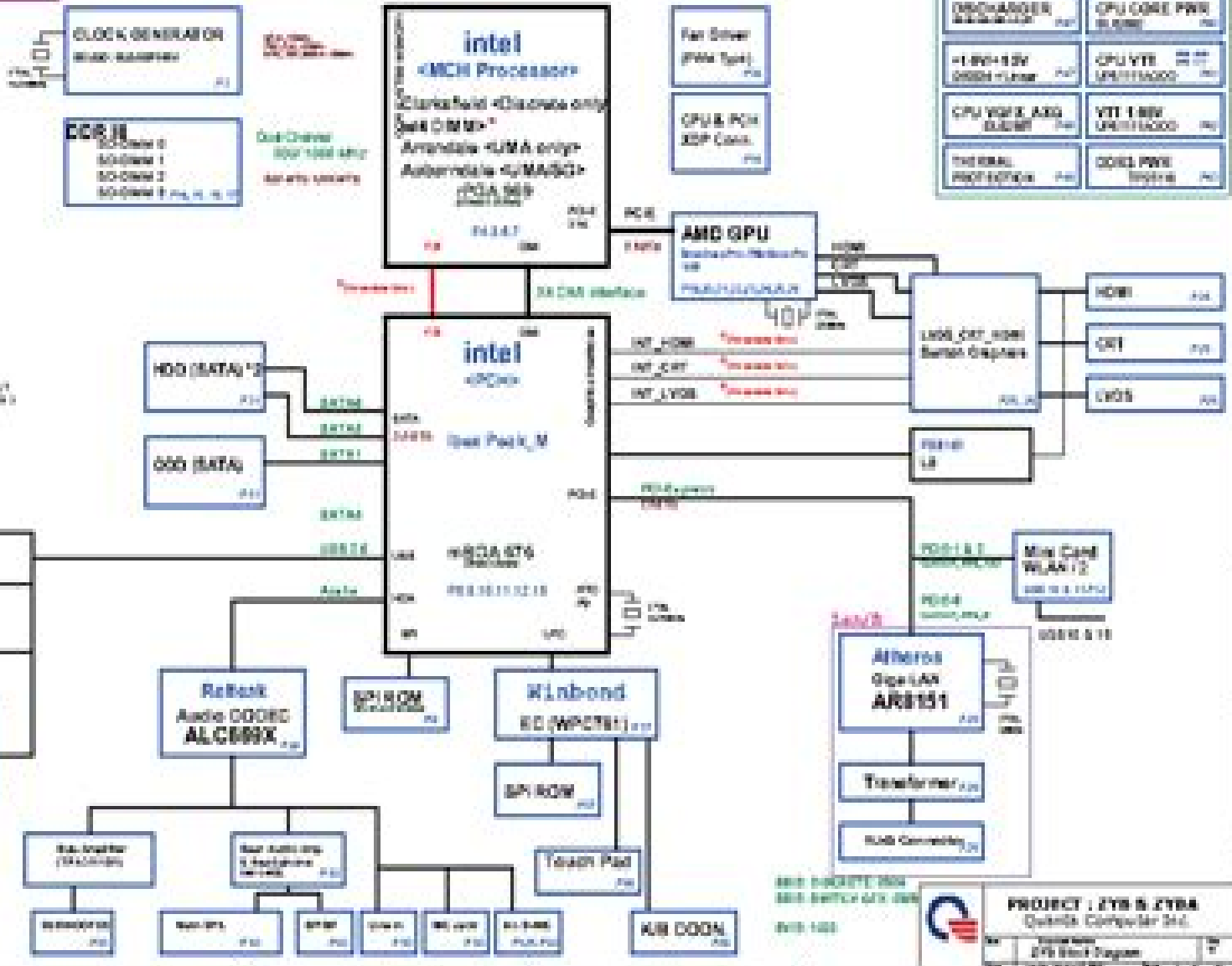


ZYB & ZYBA SYSTEM BLOCK DIAGRAM

AG ⇒ Armadillo core
CG ⇒ Cortex core
SWG ⇒ Switch core
UG ⇒ USB core

GPU CORE PWR BLOCK	CHARGER BLOCK
GPU IO PWR BLOCK	SWG SYS PWR BLOCK
DISCHARGER BLOCK	CPU CORE PWR BLOCK
+1.8V+1.2V DRAIN-FLANG	CPU VTT
CPU VDDP_AGG BLOCK	VTT 1.8V
THERMAL PROTECTION	CORE PWR BLOCK



SWG board identifier 1
 SWG board identifier 2

SWG BOARD: 100
 SWG BOARD: 075 (AG)
 SWG: 100

PROJECT : ZYB & ZYBA
 Quanta Computer Inc.
 Copyright © 2010 Quanta Computer Inc.
 All rights reserved.

Acer Aspire 7745 7745g Repair Manual Improved

S Marginson



Acer Aspire 7745 7745g Repair Manual Improved:

Recognizing the artifice ways to get this ebook **Acer Aspire 7745 7745g Repair Manual Improved** is additionally useful. You have remained in right site to start getting this info. get the Acer Aspire 7745 7745g Repair Manual Improved colleague that we have enough money here and check out the link.

You could buy guide Acer Aspire 7745 7745g Repair Manual Improved or get it as soon as feasible. You could speedily download this Acer Aspire 7745 7745g Repair Manual Improved after getting deal. So, similar to you require the book swiftly, you can straight get it. Its in view of that totally easy and appropriately fats, isnt it? You have to favor to in this tone

https://learningcenter.csa.ca/About/Resources/default.aspx/bmw_r1150_r1150gs_r_1150_gs_1999_2005_service_repair_manual.pdf

Table of Contents Acer Aspire 7745 7745g Repair Manual Improved

1. Understanding the eBook Acer Aspire 7745 7745g Repair Manual Improved
 - The Rise of Digital Reading Acer Aspire 7745 7745g Repair Manual Improved
 - Advantages of eBooks Over Traditional Books
2. Identifying Acer Aspire 7745 7745g Repair Manual Improved
 - Exploring Different Genres
 - Considering Fiction vs. Non-Fiction
 - Determining Your Reading Goals
3. Choosing the Right eBook Platform
 - Popular eBook Platforms
 - Features to Look for in an Acer Aspire 7745 7745g Repair Manual Improved
 - User-Friendly Interface
4. Exploring eBook Recommendations from Acer Aspire 7745 7745g Repair Manual Improved
 - Personalized Recommendations
 - Acer Aspire 7745 7745g Repair Manual Improved User Reviews and Ratings
 - Acer Aspire 7745 7745g Repair Manual Improved and Bestseller Lists

5. Accessing Acer Aspire 7745 7745g Repair Manual Improved Free and Paid eBooks
 - Acer Aspire 7745 7745g Repair Manual Improved Public Domain eBooks
 - Acer Aspire 7745 7745g Repair Manual Improved eBook Subscription Services
 - Acer Aspire 7745 7745g Repair Manual Improved Budget-Friendly Options
6. Navigating Acer Aspire 7745 7745g Repair Manual Improved eBook Formats
 - ePub, PDF, MOBI, and More
 - Acer Aspire 7745 7745g Repair Manual Improved Compatibility with Devices
 - Acer Aspire 7745 7745g Repair Manual Improved Enhanced eBook Features
7. Enhancing Your Reading Experience
 - Adjustable Fonts and Text Sizes of Acer Aspire 7745 7745g Repair Manual Improved
 - Highlighting and Note-Taking Acer Aspire 7745 7745g Repair Manual Improved
 - Interactive Elements Acer Aspire 7745 7745g Repair Manual Improved
8. Staying Engaged with Acer Aspire 7745 7745g Repair Manual Improved
 - Joining Online Reading Communities
 - Participating in Virtual Book Clubs
 - Following Authors and Publishers Acer Aspire 7745 7745g Repair Manual Improved
9. Balancing eBooks and Physical Books Acer Aspire 7745 7745g Repair Manual Improved
 - Benefits of a Digital Library
 - Creating a Diverse Reading Collection Acer Aspire 7745 7745g Repair Manual Improved
10. Overcoming Reading Challenges
 - Dealing with Digital Eye Strain
 - Minimizing Distractions
 - Managing Screen Time
11. Cultivating a Reading Routine Acer Aspire 7745 7745g Repair Manual Improved
 - Setting Reading Goals Acer Aspire 7745 7745g Repair Manual Improved
 - Carving Out Dedicated Reading Time
12. Sourcing Reliable Information of Acer Aspire 7745 7745g Repair Manual Improved
 - Fact-Checking eBook Content of Acer Aspire 7745 7745g Repair Manual Improved
 - Distinguishing Credible Sources
13. Promoting Lifelong Learning

- Utilizing eBooks for Skill Development
 - Exploring Educational eBooks
14. Embracing eBook Trends
- Integration of Multimedia Elements
 - Interactive and Gamified eBooks

Acer Aspire 7745 7745g Repair Manual Improved Introduction

Free PDF Books and Manuals for Download: Unlocking Knowledge at Your Fingertips In today's fast-paced digital age, obtaining valuable knowledge has become easier than ever. Thanks to the internet, a vast array of books and manuals are now available for free download in PDF format. Whether you are a student, professional, or simply an avid reader, this treasure trove of downloadable resources offers a wealth of information, conveniently accessible anytime, anywhere. The advent of online libraries and platforms dedicated to sharing knowledge has revolutionized the way we consume information. No longer confined to physical libraries or bookstores, readers can now access an extensive collection of digital books and manuals with just a few clicks. These resources, available in PDF, Microsoft Word, and PowerPoint formats, cater to a wide range of interests, including literature, technology, science, history, and much more. One notable platform where you can explore and download free Acer Aspire 7745 7745g Repair Manual Improved PDF books and manuals is the internet's largest free library. Hosted online, this catalog compiles a vast assortment of documents, making it a veritable goldmine of knowledge. With its easy-to-use website interface and customizable PDF generator, this platform offers a user-friendly experience, allowing individuals to effortlessly navigate and access the information they seek. The availability of free PDF books and manuals on this platform demonstrates its commitment to democratizing education and empowering individuals with the tools needed to succeed in their chosen fields. It allows anyone, regardless of their background or financial limitations, to expand their horizons and gain insights from experts in various disciplines. One of the most significant advantages of downloading PDF books and manuals lies in their portability. Unlike physical copies, digital books can be stored and carried on a single device, such as a tablet or smartphone, saving valuable space and weight. This convenience makes it possible for readers to have their entire library at their fingertips, whether they are commuting, traveling, or simply enjoying a lazy afternoon at home. Additionally, digital files are easily searchable, enabling readers to locate specific information within seconds. With a few keystrokes, users can search for keywords, topics, or phrases, making research and finding relevant information a breeze. This efficiency saves time and effort, streamlining the learning process and allowing individuals to focus on extracting the information they need. Furthermore, the availability of free PDF books and manuals fosters a culture of continuous learning. By removing financial barriers, more people can access educational resources and

pursue lifelong learning, contributing to personal growth and professional development. This democratization of knowledge promotes intellectual curiosity and empowers individuals to become lifelong learners, promoting progress and innovation in various fields. It is worth noting that while accessing free Acer Aspire 7745 7745g Repair Manual Improved PDF books and manuals is convenient and cost-effective, it is vital to respect copyright laws and intellectual property rights. Platforms offering free downloads often operate within legal boundaries, ensuring that the materials they provide are either in the public domain or authorized for distribution. By adhering to copyright laws, users can enjoy the benefits of free access to knowledge while supporting the authors and publishers who make these resources available. In conclusion, the availability of Acer Aspire 7745 7745g Repair Manual Improved free PDF books and manuals for download has revolutionized the way we access and consume knowledge. With just a few clicks, individuals can explore a vast collection of resources across different disciplines, all free of charge. This accessibility empowers individuals to become lifelong learners, contributing to personal growth, professional development, and the advancement of society as a whole. So why not unlock a world of knowledge today? Start exploring the vast sea of free PDF books and manuals waiting to be discovered right at your fingertips.

FAQs About Acer Aspire 7745 7745g Repair Manual Improved Books

What is a Acer Aspire 7745 7745g Repair Manual Improved PDF? A PDF (Portable Document Format) is a file format developed by Adobe that preserves the layout and formatting of a document, regardless of the software, hardware, or operating system used to view or print it. **How do I create a Acer Aspire 7745 7745g Repair Manual Improved PDF?** There are several ways to create a PDF: Use software like Adobe Acrobat, Microsoft Word, or Google Docs, which often have built-in PDF creation tools. Print to PDF: Many applications and operating systems have a "Print to PDF" option that allows you to save a document as a PDF file instead of printing it on paper. Online converters: There are various online tools that can convert different file types to PDF. **How do I edit a Acer Aspire 7745 7745g Repair Manual Improved PDF?** Editing a PDF can be done with software like Adobe Acrobat, which allows direct editing of text, images, and other elements within the PDF. Some free tools, like PDFescape or Smallpdf, also offer basic editing capabilities. **How do I convert a Acer Aspire 7745 7745g Repair Manual Improved PDF to another file format?** There are multiple ways to convert a PDF to another format: Use online converters like Smallpdf, Zamzar, or Adobe Acrobats export feature to convert PDFs to formats like Word, Excel, JPEG, etc. Software like Adobe Acrobat, Microsoft Word, or other PDF editors may have options to export or save PDFs in different formats. **How do I password-protect a Acer Aspire 7745 7745g Repair Manual Improved PDF?** Most PDF editing software allows you to add password protection. In Adobe Acrobat, for instance, you can go to "File" -> "Properties" -> "Security" to set a password to restrict access or editing capabilities. Are there any free alternatives to Adobe Acrobat for

working with PDFs? Yes, there are many free alternatives for working with PDFs, such as: LibreOffice: Offers PDF editing features. PDFsam: Allows splitting, merging, and editing PDFs. Foxit Reader: Provides basic PDF viewing and editing capabilities. How do I compress a PDF file? You can use online tools like Smallpdf, ILovePDF, or desktop software like Adobe Acrobat to compress PDF files without significant quality loss. Compression reduces the file size, making it easier to share and download. Can I fill out forms in a PDF file? Yes, most PDF viewers/editors like Adobe Acrobat, Preview (on Mac), or various online tools allow you to fill out forms in PDF files by selecting text fields and entering information. Are there any restrictions when working with PDFs? Some PDFs might have restrictions set by their creator, such as password protection, editing restrictions, or print restrictions. Breaking these restrictions might require specific software or tools, which may or may not be legal depending on the circumstances and local laws.

Find Acer Aspire 7745 7745g Repair Manual Improved :

[bmw r1150 r1150gs r 1150 gs 1999 2005 service repair manual](#)

[bmw m3 2003 repair service manual](#)

[bmw fan clutch for manual](#)

[bmw m3 ultimate portfolio 1986 2006](#)

bmw f30 328i manual

[bmw k 100 workshop manual](#)

[bmw r90 1982 repair service manual](#)

[bmw f650gs service workshop repair manual german](#)

[bmw k1100 k1100lt k1100rs 1996 repair service manual](#)

[bmw m6 gran coupe manual transmission](#)

[bmw workshop manual for timing 325](#)

[bmw r 1150r service and repair manual](#)

[bmw k1100lt k1100rs service repair factory manual instant](#)

[bmw f650 funduro repair manual](#)

bmw sport wagon 2002 repair service manual

Acer Aspire 7745 7745g Repair Manual Improved :

1984-1993-factory-service-manual.pdf ... free cloth. They must be kept spotlessly clean. Connecting rod bearing oil clearance

check. 3 Clean the back side of the new upper bearing insert, then lay ... Jeep Service Manuals May 29, 2012 — Here is a site with PDF format Mopar - Chrysler OEM parts catalogs for your year XJ. These are handy because they show exploded views of every ... Repair Manuals & Literature for 1992 Jeep Cherokee Get the best deals on Repair Manuals & Literature for 1992 Jeep Cherokee when you shop the largest online selection at eBay.com. Free shipping on many items ... Free online repair manuals? : r/MechanicAdvice Key word being “free.” Looking for a source that would have a library of factory repair manuals - the kind technicians would actually use ... factory service repair manual madness Jun 10, 2016 — I have some manuals below. You'll notice that the 1995 manual covers Cherokee and Wrangler. The 2000 manual only covers the Cherokee. I believe ... Jeep Cherokee Repair & Service Manuals (740 PDF's Jeep Cherokee service PDF's covering routine maintenance and servicing; Detailed Jeep Cherokee Engine and Associated Service Systems (for Repairs and Overhaul) ... 1992 Service Manual? Oct 25, 2008 — If you want a reasonable book that will show you much of what you need to know for maintenance, some rebuild & repairs, and especially for those ... Free Online Auto Repair Manuals and Wiring Diagrams Download free Jeep repair manuals [pdf] for do-it-yourselfers. Each Jeep repair manual contains the detailed description of works and wiring diagrams... JEEP Cherokee XJ 1992-1996 Factory Workshop Manual Complete shop manual with easy, step by step instructions for the DIY mechanic or professional technician to help maintain, repair or restore the JEEP Cherokee ... Jeep Cherokee 1984-2001 Workshop Repair Manual ... Official Jeep Cherokee Workshop Manual is the complete Service Repair Information System containing comprehensive illustrations and Wiring diagrams, accurate, ... Solution Manual for Federal Tax Research 10th Edition ... May 30, 2018 — Solution Manual for Federal Tax Research 10th Edition Sawyers, Raabe, Whittenburg, Gill · 1. Are expenses associated with emotional illnesses ... Federal Tax Research 10th Edition Sawyers - Scribd Federal Tax Research 10th Edition Sawyers Solutions Manual - Free download as PDF File (.pdf), Text File (.txt) or read online for free. Solutions Manual. Federal Tax Research 10th Edition Textbook Solutions Access Federal Tax Research 10th Edition solutions now. Our solutions are written by Chegg experts so you can be assured of the highest quality! Federal Tax Research 10th Edition Solutions Manual Test ... Federal Tax Research 10th Edition Solutions Manual Test Bank By Sawyers Raabe Whittenburg GillPage 1-1 Federal Tax Research 10th Edition Solutions Manual ... Federal Tax Research 10th Edition Sawyers Federal Tax Research 10th Edition Sawyers Solutions Manual - Free download as PDF File (.pdf), Text File (.txt) or read online for free. Solutions Manual. Solution Manual for Federal Tax Research 10th Edition ... View Solution Manual for Federal Tax Research 10th Edition Sawyers, Raabe, Whittenburg, Gill from ECE 644 at New Jersey Institute Of Technology. Chapter 12 Problem 5DQ Solution | Federal Tax Research ... Access Federal Tax Research 10th Edition Chapter 12 Problem 5DQ solution now. Our solutions are written by Chegg experts so you can be assured of the ... Federal Tax Research - 10th Edition Solution Manual Includes ; 10 Questions from expert ; 200,000+ Expert answers ; 24/7 Tutor Help ; Federal Tax Research. Full List Test Bank And Solution Manual 2022 2023 Instructor Solution Manual Federal Tax

Research 12th Edition by Roby B. ... Solution Manual Federal Tax Research, 10th Edition Roby B. Sawyers, William A. Raabe ... Federal Tax Research: Sawyers, Roby, Raabe, William A. ... This market-leading tax research text takes a practical, hands-on approach that goes beyond a random sampling of tax research sources. Amahl and the Night Visitors (Vocal Score) This vocal score is a new and revised edition of the well-known opera that made television history on Christmas Eve, 1951. Instrumentation. Piano; Vocal ... Menotti AMAHL AND THE NIGHT VISITORS Sep 20, 2013 — Opera and Music Theatre; score; G. Schirmer; musicsalesclassical.com; 30678. ... Menotti AMAHL AND THE NIGHT VISITORS. Page 1. ScoresOnDemand http ... Amahl and the Night Visitors: Vocal Score ... Book overview. (Vocal Score). This vocal score is a new and revised edition of the well-known opera that made television history on Christmas Eve, 1951. Amahl and The Night Visitors | PDF Aug 25, 2021 — ... VISITORS Gera m Que Ae Words and Music by GIAN-CARLO MENOTTI G. ... Orchestral materials and an arrangement of the orchestral score for two pianos ... Amahl and the Night Visitors (Vocal Score) Price: \$27.00 ... This vocal score is a new and revised edition of the well-known opera that made television history on Christmas Eve, 1951. Details. Publisher: G ... Gian Carlo Menotti - Amahl & the Night Visitors Vocal Score Sheet Music - £31.99 - Menotti;s enchanting opera of Amahl and the Night Visitors is presented here in a clearly printed vocal and piano score. Amahl and the Night Visitors Opera in One Act Words ... Amahl and the Night Visitors Opera in One Act Words and Music by Gian-Carlo Menotti. [Piano-vocal score] New York/London: G. Schirmer [PN 42736], [1952]. Amahl And The Night Visitors - Vocal Score by Gian Carlo ... This vocal score is a new and revised edition of the well-known opera that made television history on Christmas Eve, 1951. Amahl and the Night Visitors Features: This vocal score is a new and revised edition of the well-known opera that made television history on Christmas Eve, 1951. Table of Contents: ... Amahl And The Night Visitors - Vocal Score This vocal score is a new and revised edition of the well-known opera that made television history on Christmas Eve, 1951. Song List:.