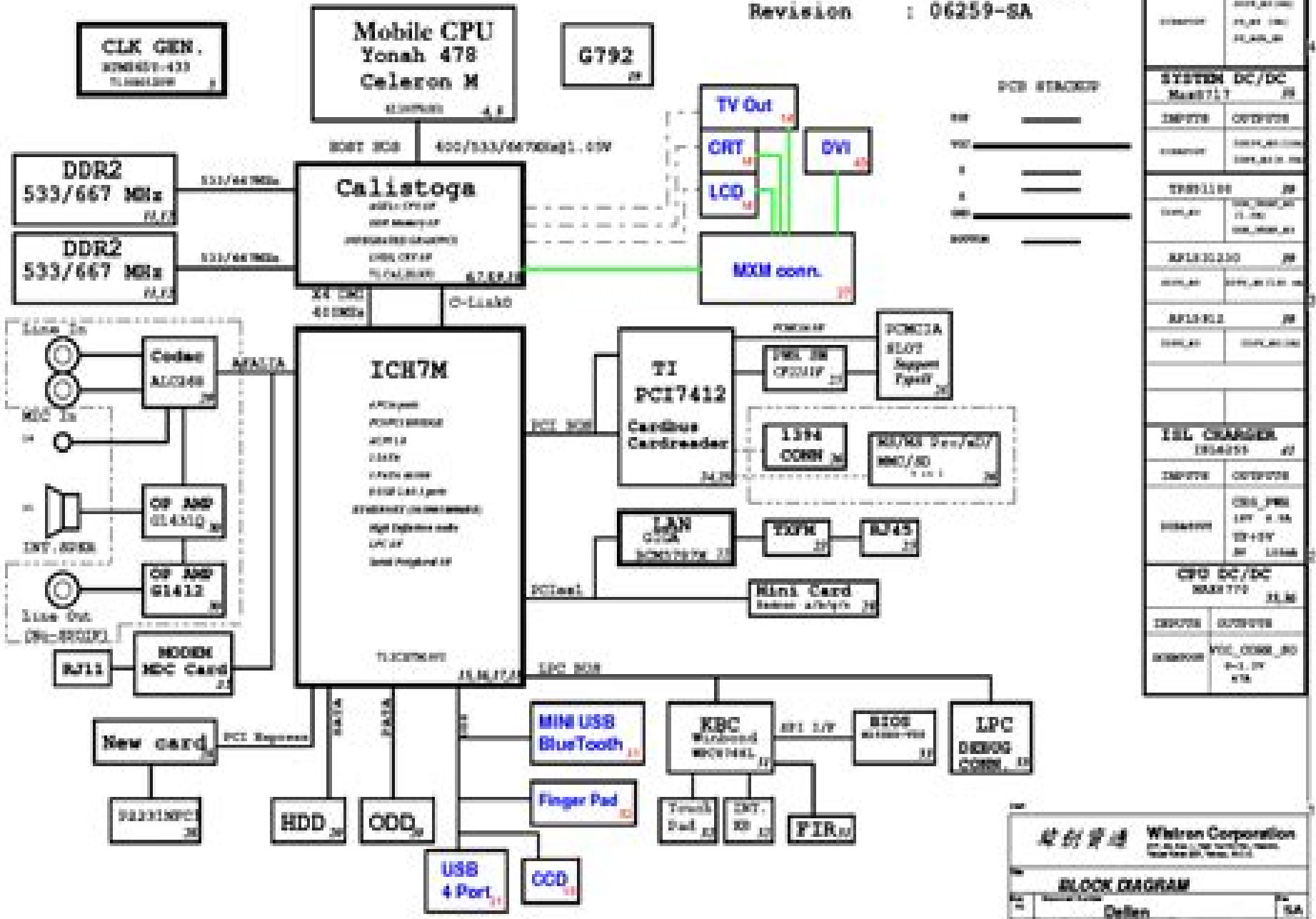


Dellen Block Diagram

Project code: 91.4V401.001
 PCB P/N : 48.4T307.0SA
 Revision : 06259-SA



SYSTEM DC/DC MAD2144	
INPUTS	OUTPUTS
SWITCHES	SWITCHES
SYSTEM DC/DC MAD2117	
INPUTS	OUTPUTS
SWITCHES	SWITCHES
TRIPLE SW	
SWITCHES	SWITCHES
APLS02200	
SWITCHES	SWITCHES
APLS010	
SWITCHES	SWITCHES
TEL CHARGER DS4005	
INPUTS	OUTPUTS
SWITCHES	SWITCHES
CPU DC/DC MAD2170	
INPUTS	OUTPUTS
SWITCHES	SWITCHES

Acer Extensa 5610 Guide Repair Manual

AW Rasmussen



Acer Extensa 5610 Guide Repair Manual:

Acer Extensa 5610 Guide Repair Manual: Bestsellers in 2023 The year 2023 has witnessed a remarkable surge in literary brilliance, with numerous captivating novels enthraling the hearts of readers worldwide. Lets delve into the realm of popular books, exploring the fascinating narratives that have captivated audiences this year. The Must-Read : Colleen Hoover's "It Ends with Us" This heartfelt tale of love, loss, and resilience has captivated readers with its raw and emotional exploration of domestic abuse. Hoover expertly weaves a story of hope and healing, reminding us that even in the darkest of times, the human spirit can triumph. Uncover the Best : Taylor Jenkins Reids "The Seven Husbands of Evelyn Hugo" This intriguing historical fiction novel unravels the life of Evelyn Hugo, a Hollywood icon who defies expectations and societal norms to pursue her dreams. Reids captivating storytelling and compelling characters transport readers to a bygone era, immersing them in a world of glamour, ambition, and self-discovery. Discover the Magic : Delia Owens "Where the Crawdads Sing" This captivating coming-of-age story follows Kya Clark, a young woman who grows up alone in the marshes of North Carolina. Owens weaves a tale of resilience, survival, and the transformative power of nature, entrancing readers with its evocative prose and mesmerizing setting. These top-selling novels represent just a fraction of the literary treasures that have emerged in 2023. Whether you seek tales of romance, adventure, or personal growth, the world of literature offers an abundance of captivating stories waiting to be discovered. The novel begins with Richard Papen, a bright but troubled young man, arriving at Hampden College. Richard is immediately drawn to the group of students who call themselves the Classics Club. The club is led by Henry Winter, a brilliant and charismatic young man. Henry is obsessed with Greek mythology and philosophy, and he quickly draws Richard into his world. The other members of the Classics Club are equally as fascinating. Bunny Corcoran is a wealthy and spoiled young man who is always looking for a good time. Charles Tavis is a quiet and reserved young man who is deeply in love with Henry. Camilla Macaulay is a beautiful and intelligent young woman who is drawn to the power and danger of the Classics Club. The students are all deeply in love with Morrow, and they are willing to do anything to please him. Morrow is a complex and mysterious figure, and he seems to be manipulating the students for his own purposes. As the students become more involved with Morrow, they begin to commit increasingly dangerous acts. The Secret History is an exceptional and suspenseful novel that will keep you wondering until the very end. The novel is a cautionary tale about the dangers of obsession and the power of evil.

<https://learningcenter.csa.ca/public/uploaded-files/HomePages/brasilien%202016%20abseits%20tischkalender%20quer.pdf>

Table of Contents Acer Extensa 5610 Guide Repair Manual

1. Understanding the eBook Acer Extensa 5610 Guide Repair Manual
 - The Rise of Digital Reading Acer Extensa 5610 Guide Repair Manual
 - Advantages of eBooks Over Traditional Books
2. Identifying Acer Extensa 5610 Guide Repair Manual
 - Exploring Different Genres
 - Considering Fiction vs. Non-Fiction
 - Determining Your Reading Goals
3. Choosing the Right eBook Platform
 - Popular eBook Platforms
 - Features to Look for in an Acer Extensa 5610 Guide Repair Manual
 - User-Friendly Interface
4. Exploring eBook Recommendations from Acer Extensa 5610 Guide Repair Manual
 - Personalized Recommendations
 - Acer Extensa 5610 Guide Repair Manual User Reviews and Ratings
 - Acer Extensa 5610 Guide Repair Manual and Bestseller Lists
5. Accessing Acer Extensa 5610 Guide Repair Manual Free and Paid eBooks
 - Acer Extensa 5610 Guide Repair Manual Public Domain eBooks
 - Acer Extensa 5610 Guide Repair Manual eBook Subscription Services
 - Acer Extensa 5610 Guide Repair Manual Budget-Friendly Options
6. Navigating Acer Extensa 5610 Guide Repair Manual eBook Formats
 - ePub, PDF, MOBI, and More
 - Acer Extensa 5610 Guide Repair Manual Compatibility with Devices
 - Acer Extensa 5610 Guide Repair Manual Enhanced eBook Features
7. Enhancing Your Reading Experience
 - Adjustable Fonts and Text Sizes of Acer Extensa 5610 Guide Repair Manual
 - Highlighting and Note-Taking Acer Extensa 5610 Guide Repair Manual
 - Interactive Elements Acer Extensa 5610 Guide Repair Manual
8. Staying Engaged with Acer Extensa 5610 Guide Repair Manual

- Joining Online Reading Communities
 - Participating in Virtual Book Clubs
 - Following Authors and Publishers Acer Extensa 5610 Guide Repair Manual
9. Balancing eBooks and Physical Books Acer Extensa 5610 Guide Repair Manual
- Benefits of a Digital Library
 - Creating a Diverse Reading Collection Acer Extensa 5610 Guide Repair Manual
10. Overcoming Reading Challenges
- Dealing with Digital Eye Strain
 - Minimizing Distractions
 - Managing Screen Time
11. Cultivating a Reading Routine Acer Extensa 5610 Guide Repair Manual
- Setting Reading Goals Acer Extensa 5610 Guide Repair Manual
 - Carving Out Dedicated Reading Time
12. Sourcing Reliable Information of Acer Extensa 5610 Guide Repair Manual
- Fact-Checking eBook Content of Acer Extensa 5610 Guide Repair Manual
 - Distinguishing Credible Sources
13. Promoting Lifelong Learning
- Utilizing eBooks for Skill Development
 - Exploring Educational eBooks
14. Embracing eBook Trends
- Integration of Multimedia Elements
 - Interactive and Gamified eBooks

Acer Extensa 5610 Guide Repair Manual Introduction

Acer Extensa 5610 Guide Repair Manual Offers over 60,000 free eBooks, including many classics that are in the public domain. Open Library: Provides access to over 1 million free eBooks, including classic literature and contemporary works. Acer Extensa 5610 Guide Repair Manual Offers a vast collection of books, some of which are available for free as PDF downloads, particularly older books in the public domain. Acer Extensa 5610 Guide Repair Manual : This website hosts a vast collection of scientific articles, books, and textbooks. While it operates in a legal gray area due to copyright issues, its a popular resource for finding various publications. Internet Archive for Acer Extensa 5610 Guide Repair Manual : Has an

extensive collection of digital content, including books, articles, videos, and more. It has a massive library of free downloadable books. Free-eBooks Acer Extensa 5610 Guide Repair Manual Offers a diverse range of free eBooks across various genres. Acer Extensa 5610 Guide Repair Manual Focuses mainly on educational books, textbooks, and business books. It offers free PDF downloads for educational purposes. Acer Extensa 5610 Guide Repair Manual Provides a large selection of free eBooks in different genres, which are available for download in various formats, including PDF. Finding specific Acer Extensa 5610 Guide Repair Manual, especially related to Acer Extensa 5610 Guide Repair Manual, might be challenging as they're often artistic creations rather than practical blueprints. However, you can explore the following steps to search for or create your own Online Searches: Look for websites, forums, or blogs dedicated to Acer Extensa 5610 Guide Repair Manual, Sometimes enthusiasts share their designs or concepts in PDF format. Books and Magazines Some Acer Extensa 5610 Guide Repair Manual books or magazines might include. Look for these in online stores or libraries. Remember that while Acer Extensa 5610 Guide Repair Manual, sharing copyrighted material without permission is not legal. Always ensure you're either creating your own or obtaining them from legitimate sources that allow sharing and downloading. Library Check if your local library offers eBook lending services. Many libraries have digital catalogs where you can borrow Acer Extensa 5610 Guide Repair Manual eBooks for free, including popular titles. Online Retailers: Websites like Amazon, Google Books, or Apple Books often sell eBooks. Sometimes, authors or publishers offer promotions or free periods for certain books. Authors Website Occasionally, authors provide excerpts or short stories for free on their websites. While this might not be the Acer Extensa 5610 Guide Repair Manual full book, it can give you a taste of the author's writing style. Subscription Services Platforms like Kindle Unlimited or Scribd offer subscription-based access to a wide range of Acer Extensa 5610 Guide Repair Manual eBooks, including some popular titles.

FAQs About Acer Extensa 5610 Guide Repair Manual Books

What is a Acer Extensa 5610 Guide Repair Manual PDF? A PDF (Portable Document Format) is a file format developed by Adobe that preserves the layout and formatting of a document, regardless of the software, hardware, or operating system used to view or print it. **How do I create a Acer Extensa 5610 Guide Repair Manual PDF?** There are several ways to create a PDF: Use software like Adobe Acrobat, Microsoft Word, or Google Docs, which often have built-in PDF creation tools. Print to PDF: Many applications and operating systems have a "Print to PDF" option that allows you to save a document as a PDF file instead of printing it on paper. Online converters: There are various online tools that can convert different file types to PDF. **How do I edit a Acer Extensa 5610 Guide Repair Manual PDF?** Editing a PDF can be done with software like Adobe Acrobat, which allows direct editing of text, images, and other elements within the PDF. Some free tools, like

PDFescape or Smallpdf, also offer basic editing capabilities. **How do I convert a Acer Extensa 5610 Guide Repair Manual PDF to another file format?** There are multiple ways to convert a PDF to another format: Use online converters like Smallpdf, Zamzar, or Adobe Acrobats export feature to convert PDFs to formats like Word, Excel, JPEG, etc. Software like Adobe Acrobat, Microsoft Word, or other PDF editors may have options to export or save PDFs in different formats. **How do I password-protect a Acer Extensa 5610 Guide Repair Manual PDF?** Most PDF editing software allows you to add password protection. In Adobe Acrobat, for instance, you can go to "File" -> "Properties" -> "Security" to set a password to restrict access or editing capabilities. Are there any free alternatives to Adobe Acrobat for working with PDFs? Yes, there are many free alternatives for working with PDFs, such as: LibreOffice: Offers PDF editing features. PDFsam: Allows splitting, merging, and editing PDFs. Foxit Reader: Provides basic PDF viewing and editing capabilities. How do I compress a PDF file? You can use online tools like Smallpdf, ILovePDF, or desktop software like Adobe Acrobat to compress PDF files without significant quality loss. Compression reduces the file size, making it easier to share and download. Can I fill out forms in a PDF file? Yes, most PDF viewers/editors like Adobe Acrobat, Preview (on Mac), or various online tools allow you to fill out forms in PDF files by selecting text fields and entering information. Are there any restrictions when working with PDFs? Some PDFs might have restrictions set by their creator, such as password protection, editing restrictions, or print restrictions. Breaking these restrictions might require specific software or tools, which may or may not be legal depending on the circumstances and local laws.

Find Acer Extensa 5610 Guide Repair Manual :

~~[brasilien 2016 abseits tischkalender quer](#)~~

[brain quest grade 2 math](#)

[brady emergency care 12th edition study guide](#)

[braving the void journeys into healing](#)

[brain and behavior with cd rom and infotrac psy 381 physiological psychology](#)

[brake lathe manual](#)

[brauchen wir drittes geschlecht schriftenreihe](#)

[boys who fought the nazis scholastic answers](#)

[breakaway wisdom life strategies from the coaches of hockey east](#)

[branson welder 800 manual](#)

[braiding rawhide horse tack](#)

[bread dog kuwahara natsuko](#)

[bravehearted musings](#)
[branson tractor hydrolic manual](#)
[bradford factor chart](#)

Acer Extensa 5610 Guide Repair Manual :

globalization vs isolationism finding nike s new competitive - May 18 2023

web nov 15 2017 nike is synonymous with globalization over the past two decades nike has been one of the pioneers in outsourcing production to the developing world today nike s contracted factories employ 1 02 million workers in 42 countries to produce all its products with 29 of product made in china and 44 in vietnam 1 2

[global sourcing at nike harvard business publishing education](#) - Jun 19 2023

web mar 7 2019 global sourcing at nike by nien he hsieh michael w toffel olivia hull this case explores the evolution of nike s global product sourcing strategy in particular ongoing efforts to improve working conditions at its suppliers factories when the case opens in july 2018 length 31 page s publication date mar 7 2019

[nike globalisation case study 2023 cyberlab sutd edu sg](#) - Feb 15 2023

web nike globalisation case study succeed or sink may 29 2021 this book has an asian perspective on business sustainability and is about understanding the global impact of recent developments and future actions in one part of the world the authors magnify the concept of so called

[nike and globalization case study 1100 words internet public](#) - Mar 04 2022

web this essay assignment chronicles the promises and the threats dangers of globalization using nike the sportswear manufacturer as a case study it is essentially an extract from a presentation to sloan school of management by richard m locke and alvin j siteman

[nike globalization issues the good and the bad studybay](#) - Nov 12 2022

web 15 min 3 10 04 2022 the nike sports shoes with a signature swoosh design were used to demonstrate how globalization presents difficulties and possibilities for multinational firms employees who manufacture nike s products and consumers

globalization and its and challenges nike inc marketing essay - Apr 05 2022

web nike and adidas have dominated the global branded athletic footwear markets market leader nike has a significant lead over adidas in footwear market other competitors like reebok and new balance is still lagging behind in the sales locke siteman 2001 iii the globalization of nike nike is founded in 1964 by phil knight and bill bowerman

nike tnc case study ppt slideshare - Dec 13 2022

web dec 16 2014 background nike s global headquarters is located in beaverton oregon usa nike employs more than 700

000 contract workers in over 700 factories worldwide the list includes 124 plants in china 73 in thailand 35 in south korea and 34 in vietnam

pdf globalization and advertising the case of nike - Sep 22 2023

web pdf on jan 1 2018 p david marshall and others published globalization and advertising the case of nike find read and cite all the research you need on researchgate

pdf nike a case study just do it researchgate - Aug 21 2023

web feb 20 2022 nike a case study just do it authors muskaan nagori narsee monjee institute of management studies nike has gone 35 digital and is planning to reach 50 by 2025 it has shown immense

the promise and perils of globalization the case of nike - Mar 16 2023

web jan 1 2006 we analyze the nike case in order to study how stakeholders pressure shapes a firm s engagement in csr issues our study points out the dynamic nature of stakeholders and legitimacy and it

nike case study1 mit massachusetts institute of technology - Jul 20 2023

web the promise and perils of globalization the case of nike1 richard m locke alvin j siteman professor of entrepreneurship and political science mit this case was prepared for the sloan school of management s 50th anniversary celebration and should be read in conjunction with a note on corporate citizenship

marketing case study nike s global marketing strategies - Jul 08 2022

web jan 6 2022 nike is one of the most popular global brands and its success has a lot to do with its global marketing strategies learn about nike s marketing strategies including emotional advertising the

globalisation case study nike flashcards quizlet - Jun 07 2022

web where is nike manufacturing factories in 40 countries around the world clothing mainly in asia pacific area footwear mainly in china vietnam indonesia and thailand why is manufacturing located where it is improvements in technology mean production can be far from the headquarters can pay lower wages to workers

pdf global ethical sourcing the case of nike researchgate - Sep 10 2022

web aug 31 2022 the current study analyses nike s journey to responsible sourcing in the global market the study discusses how the problem of nike s sweatshop supply chain emerged and how the company reacted

nike globalization case globalization case study harjeet - Aug 09 2022

web globalization case study brief description of the case as the current world becomes increasingly developed globalization is gaining high prominence in many life aspects in many mass market products products are made in different stages and marketing is done in various countries

sage business cases sweating the swoosh nike the globalization - Apr 17 2023

web mar 6 2016 globalization has become increasingly controversial and remains a slippery topic this case study grounds the discussion by focusing on the production and marketing strategies of one modern multinational corporation nike inc while also examining allegations that the company supports global sweatshops

nike case study geography for 2023 beyond - May 06 2022

web objective to research the issues surrounding the nidl focussing on nike and its global operations outcome mini documentary examining the views of different stakeholders in this global operation slideshow outlining pro s and con s of nike s international activities

globalisation ccea case study nike production in china bbc - Oct 23 2023

web case study nike production in china the us sportswear company nike have had a sizeable number of factories based in china for many years although the headquarters is based in oregon usa the

product digitalization at nike the future is now - Jan 14 2023

web mar 1 2021 abstract nike is well known for the digitalization of its commerce processes including direct to consumer mobile and social commerce as well as for pushing the envelope in terms of using advanced materials in innovative sportswear however leveraging digital technologies to augment products had not taken off yet

a road to success through localisation nike case study - Oct 11 2022

web sep 12 2020 how nike became a globally renowned brand market strategy nike and sports first of all nike associated itself with sports on a global level whether it be football basketball cricket

examenes matematicas 4 primaria santillana saber hacer - Oct 27 2022

web prueba de control matematicas 4 primaria santillana esta cuaderno de evaluación de contenidos para las matematicas 4 primaria santillana proyecto saber hacer esta formado por el control y evaluacion distribuido en evaluación inicial pruebas de control de todas las unidades para nivel básico o para nivel avanzado

4º curso educación primaria fichas matemáticas 2023 - Sep 25 2022

web fichas educativas de geometría4º curso de primaria descargar e imprimir gratis descarga las fichas educativas más destacadas del bloque de geometría en 4º nivel de educación primaria nuestras actividades interactivas y creativas permitirán a los pequeños explorar formas figuras y patrones de una manera divertida y

primaria refuerzo y ampliación matemáticas - Jul 04 2023

web refuerzo y ampliación matemáticas 4 es una obra colectiva concebida creada y realizada en el departamento de primaria de santillana educación s l bajo la dirección de josé tomás hena o ilustración javier hernández textos pilar garcía edición mar garcía el presente cuaderno está protegido por las leyes de derechos de autor y su

4º prim matemáticas refuerzo repaso ampliación pdf - Aug 05 2023

web approve reject view details

exámenes matemáticas 4 primaria santillana saber hacer pdf - May 22 2022

web se puede descargar en formato pdf y ver online exámenes matemáticas 4 primaria santillana saber hacer pdf con las soluciones y las respuestas del libro gracias a la editorial oficial para a los profesores y los alumnos en esta pagina al completo curso 4 primaria pruebas de control

matemáticas 4 primaria santillana - Mar 20 2022

web libro de matemáticas para el cuarto curso de primaria utilizando la metodología saber hacer contigo incorporando importantes innovaciones metodológicas y pedagógicas que los docentes nos han reclamado para su práctica educativa

santillana pdf matemáticas 4 primaria fichas de refuerzo y - Sep 06 2023

web santillana pdf matemáticas 4 primaria libro completo examen solucionario material fotocopiable fichas de refuerzo y ampliación os dejamos las fichas de refuerzo y ampliación de matemáticas de 4º de primaria de santillana en formato pdf con las actividades de repaso para todos aquellos que las necesiten Índice información

los matematicos de 4 guías santillana - Feb 28 2023

web fracciones y decimales pd 4 fracciones y decimales pdf documento adobe acrobat 1 8 mb descarga

4 matemáticas santillana - Feb 16 2022

web el libro matemáticas para el 4 o curso de primaria es una obra colectiva concebida diseñada y creada en el departamento de ediciones educativas de santillana educación s l dirigido por teresa greñe ruiz en su elaboración ha participado el siguiente equipo texto y edición

santillana fichas matemáticas pdf 2023 - Aug 25 2022

web editorial santillana fichas educativas de repaso refuerzo y ampliación de matemáticas del 1º curso de educación primaria orientadas a los niños y las niñas de 6 y 7 años pertenecientes al material fotocopiable autorizado del proyecto saber hacer contigo y la casa del saber distribuidos por la editorial santillana

libro santillana matemáticas 4 primaria udocz - Nov 27 2022

web descarga gratis el pdf libro santillana matemáticas 4 primaria encuentra los mejores documentos de matemáticas en udocz y ayuda a miles cómo tú ingresa regístrate contribuidores categorías ingresa regístrate 9 5k vistas 19 libro santillana

matemáticas santillana - Apr 01 2023

web el libro matemáticas 4 para cuarto curso de primaria es una obra colectiva concebida diseñada y creada en el departamento de ediciones educativas de santillana educación s l dirigido por teresa greñe ruiz en su elaboración ha participado el siguiente equipo texto José Antonio Almodóvar Herráiz

matemáticas 4 primaria - Jan 30 2023

web matemáticas 4 primaria este libro se encuentra organizado en ocho unidades cada unidad desarrolla agrupaciones temáticas que en el área de matemáticas son conjuntos números y operaciones geometría medidas tratamiento de la información y habilidades para la resolución de problemas nuestros libros de matemáticas de la serie h

[evaluacion de contenidos saber hacer santillana 4 primaria matematicas](#) - Jul 24 2022

web exámenes matemáticas 4 primaria saber hacer santillana para imprimir curso cuarto 4 editorial santillana proyecto saber hacer contigo y proyecto la casa del saber curso valido 2020 2021 evaluación inicial y pruebas de control de las unidades de dificultad avanzada y básica a y b

[4º primaria matemáticas proyecto cm santillana 2023](#) - Dec 29 2022

web enfoque general el libro de texto de matemáticas de 4º curso de educación primaria del proyecto educativo construyendo mundos de la editorial santillana está arraigado en una filosofía educativa que coloca al estudiante en el centro de su proceso de aprendizaje este enfoque se sustenta en el constructivismo donde se valora el

4 matemáticas santillana - Oct 07 2023

web el libro matemáticas para el 4º curso de primaria es una obra colectiva concebida diseñada y creada en el departamento de ediciones educativas de santillana educación s l dirigido por teresa grence ruiz en su elaboración ha participado el siguiente equipo texto y edición

[matematicas 4 primaria santillana ejercicios y mas pdf](#) - Jun 22 2022

web solucionario con ejercicios y problemas de santillana temas índice con los ejercicios resueltos números de hasta siete cifras números ordinales números romanos sumar y restar decenas centenas y millares suma resta y multiplicación propiedades de la suma combinadas multiplicación por 2 y 3 cifras propiedades de la multiplicación

matemáticas 4 primaria mochila ligera santillana - May 02 2023

web matemáticas 4 primaria mochila ligera método construyendo mundos sello santillana

[refuerzo y ampliacion matematicas 4 primaria santillana pdf](#) - Jun 03 2023

web disponible para descargar las fichas de refuerzo y ampliacion de matematicas 4 primaria santillana en pdf con todos los problemas y ejercicios oficiales para el repaso curso cuarto 4 editorial santillana proyecto saber hacer proyecto la casa del saber curso valido 2020 2021 problemas matematicas 4 primaria santillana pdf

[descarga el repaso de matemáticas 4 primaria santillana en pdf](#) - Apr 20 2022

web 3 ejercicios y actividades del libro de matemáticas santillana 4 primaria pdf ejercicios y actividades interactivas el libro de matemáticas santillana 4 primaria pdf ofrece a los estudiantes una variedad de ejercicios y actividades interactivas que les permiten practicar los conceptos matemáticos de una manera divertida y dinámica estas actividades van

[florida jurisprudence exam study guide 2020 flashcards](#) - Jan 08 2023

web florida jurisprudence exam study guide 2020 5 0 1 review legislative intent click the card to flip ensure that every physical therapy practitioner practicing in this state meets minimum requirements for safe practice

florida jurisprudence exam study guide practice exam - May 12 2023

web pass your exam this study guide practice test included is simply the best way to prepare for your florida physical therapy jurisprudence exam this study guide reduces over 100 pages of complex laws and regulations into simple language and the practice test lets you test your readiness easy

florida jurisprudence exam study guide and practice test edsyn - Aug 15 2023

web jan 19 2020 consists of 50 multiple choice questions 40 scored 10 pilot questions for future tests 60 minute time limit the passing score is determined by fsbpt federation of state boards of physical therapy applicants must retake the exam if they do not pass click here to purchase our practice test the test is comprised of 50 multiple choice

florida pt jurisprudence exam 2022 flashcards quizlet - Mar 10 2023

web definition 1 70 physical therapy practice click the card to flip flashcards learn test created by shelby mahaz terms in this set 70 chapter 486 physical therapy practice chapter 458 medical practice md chapter 459 osteopathic medicine do chapter 460 chiropractors chapter 461 podiatrists chapter 466 dentists direct supervision

jurisprudence exam fsbpt - Mar 30 2022

web fsbpt develops maintains and administers jurisprudence exams for five jurisdictions arizona california the district of columbia florida and nebraska if your jurisdiction requires that you take the jurisprudence exam through the fsbpt the policies and procedures for the jurisprudence exam are the same as those for the npte

florida physical therapy pt jurisprudence exam prep 2019 quizlet - Jul 14 2023

web study with quizlet and memorize flashcards containing terms like legislative intent physical therapy physiotherapy physical therapist and more

free florida jurisprudence exam study guide mailerlite - Dec 27 2021

web free florida jurisprudence exam study guide subscribe to receive a resource that can help you have direction and efficiency as you prepare for the exam

florida jurisprudence practice exam 1 pt pta edsyn - Oct 05 2022

web florida jurisprudence practice exam 1 pt pta edsyn home this 50 question multiple choice examination has been created to help individuals prepare for the jurisprudence examination for the state of florida the questions are based on the laws rules and regulations that allow one to practice physical therapy in florida it contains

florida pt law exams edsyn - Nov 06 2022

web fl fl practice exams florida jurisprudence practice exam 1 pt pta 25 00 florida jurisprudence practice exam 2 pt pta 25 00

bundleisbetter want to maximize your learning and savings use the code below to save 20 when you buy both florida exams together

florida jurisprudence exam 2017 section 1 60 of exam - Jul 02 2022

web a practice physical therapy or attempt to practice physical therapy without an active license or temporary permit b use or attempt to use a license or temporary permit to practice physical therapy which is suspended revoked or void

fl physical therapy jurisprudence law exam study guide - Jun 01 2022

web fl physical therapy jurisprudence law exam study guide share 3 6 5 reviews flashcards learn test match get a hint board click the card to flip pt board click the card to flip 1 32 flashcards learn test match created by areyna01 terms in this set 32 board pt board department health department license

florida jurisprudence practice exam questions and answers - Jan 28 2022

web feb 4 2023 1 ohio pta jurisprudence exam questions and answers rated a 2 ohio pt jurisprudence exam latest 2023 2024 download to score a 3 ohio jurisprudence exam newest version 2023 2024 with complete solutions 4 ohio physical therapy jurisprudence exam q a latest 2023

florida physical therapy jurisprudence exam practice questions - Sep 04 2022

web this 50 question multiple choice examination has been created to help individuals prepare for the jursiprudence examination for the state of florida the questions are based on the laws rules and regulations that allow one to practice physical therapy in florida

florida pt jurisprudence exam flashcards quizlet - Dec 07 2022

web i demonstrated inability to practice physical therapy with reasonable skill and safety due to illness drugs alcohol mental condition or physical condition ii committed fraud in the practice of physical therapy or deceit in obtaining a license to

florida physical therapy jurisprudence exam practice questions - Feb 26 2022

web 10 florida physical therapy jurisprudence exam practice questions 2020 03 03 chapters provide an up to date expanded view of the needs of today s and tomorrow s physical therapists business concepts covered include healthcare economics payment sources accounting billing human resource management marketing outcomes

fl law exam 2021 flashcards quizlet - Aug 03 2022

web 486 021 11a practice of physical therapy means the performance of physical therapy assessments and the treatment of any disability injury disease or other health condition of human beings or the prevention of such disability injury disease or other health condition and the rehabilitation of such disability injury disease or

florida jurisprudence examination pt flashcards quizlet - Jun 13 2023

web science medicine physical therapy florida jurisprudence examination pt 4 0 11 reviews the laws and rules examination

has 40 scored questions and the content and approximate weights are click the card to flip 1 legislative intent and definitions
25 2 board powers and duties 5 3 licensure and examination 7 5 4

fl jurisprudence exam flashcards chegg com - Apr 30 2022

web study fl jurisprudence exam flashcards create flashcards for free and quiz yourself with an interactive flipper

florida board of physical therapy laws and rules rev 11 2021 - Apr 11 2023

web 486 023 board of physical therapy practice 486 025 powers and duties of the board of physical therapy practice 486 028

license to practice physical therapy required 486 031 physical therapist licensing requirements 486 041 physical therapist

application for license fee 486 051 physical therapist examination of applicant

florida jurisprudence exam r physicaltherapy reddit - Feb 09 2023

web jan 26 2022 florida jurisprudence exam r physicaltherapy 2 yr ago by ptcreeper florida jurisprudence exam apologies if

this is more appropriate for the pt school sub i posted there as well so i just took the npte today and my jurisprudence exam

is next friday am i just supposed to read and study the state practice act in order to prepare