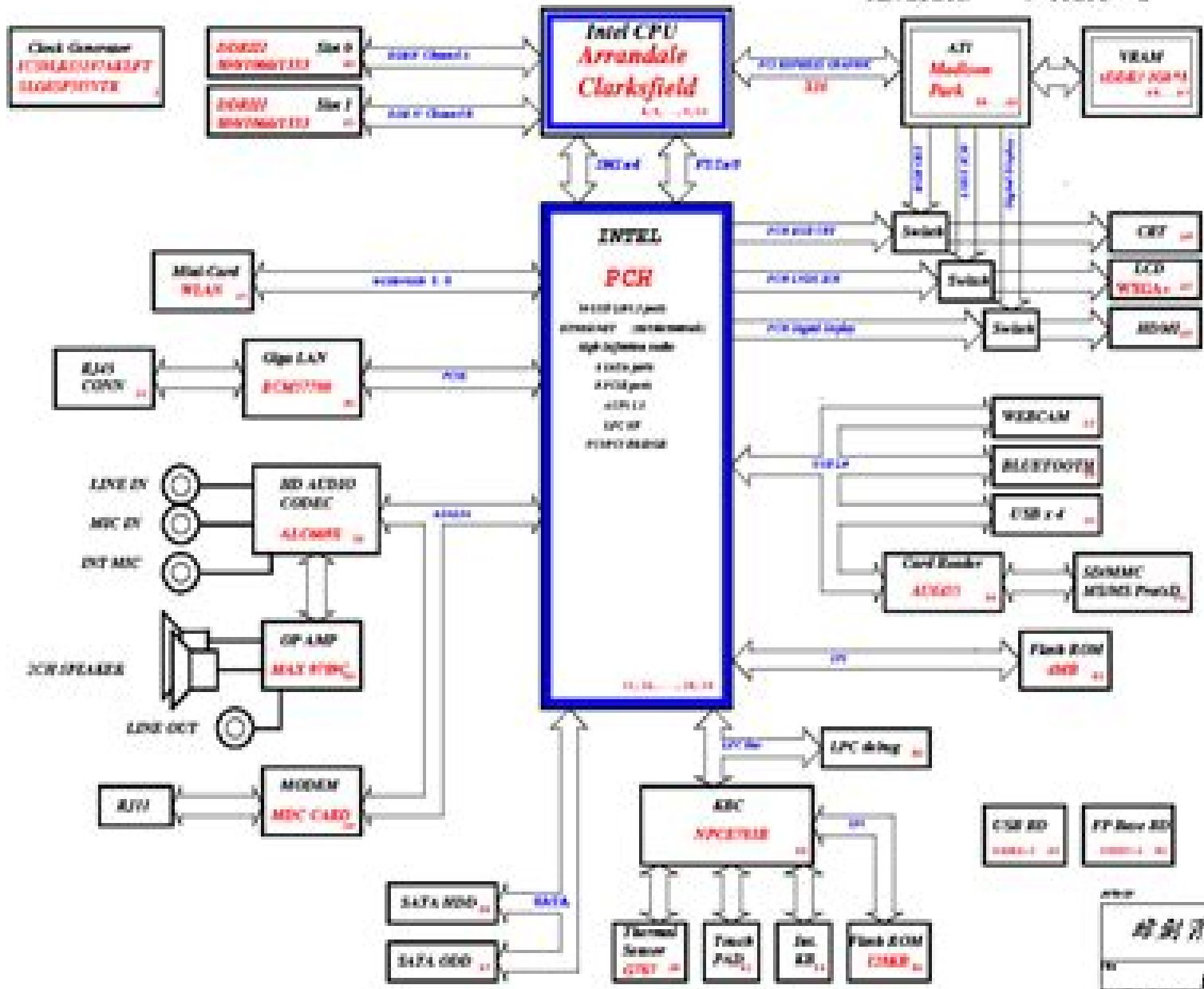


# JV70-CP Block Diagram

Project code: 91.4GC01.001  
 PCB P/N : 48.4GC01.011  
 REVISION : 09293--1

PCB STACKUP

TOP	_____
PCB	_____
1	_____
2	_____
3	_____
4	_____
5	_____
6	_____
7	_____
8	_____
9	_____
10	_____
11	_____
12	_____
13	_____
14	_____
15	_____
16	_____
17	_____
18	_____
19	_____
20	_____
21	_____
22	_____
23	_____
24	_____
25	_____
26	_____
27	_____
28	_____
29	_____
30	_____
31	_____
32	_____
33	_____
34	_____
35	_____
36	_____
37	_____
38	_____
39	_____
40	_____
41	_____
42	_____
43	_____
44	_____
45	_____
46	_____
47	_____
48	_____
49	_____
50	_____
51	_____
52	_____
53	_____
54	_____
55	_____
56	_____
57	_____
58	_____
59	_____
60	_____
61	_____
62	_____
63	_____
64	_____
65	_____
66	_____
67	_____
68	_____
69	_____
70	_____
71	_____
72	_____
73	_____
74	_____
75	_____
76	_____
77	_____
78	_____
79	_____
80	_____
81	_____
82	_____
83	_____
84	_____
85	_____
86	_____
87	_____
88	_____
89	_____
90	_____
91	_____
92	_____
93	_____
94	_____
95	_____
96	_____
97	_____
98	_____
99	_____
100	_____



SYSTEM DC/DC (VREG1123)	
INPUTS	OUTPUTS
VR12IN	VR12OUT
VR12IN	VR12OUT
SYSTEM DC/DC (VREG1117)	
INPUTS	OUTPUTS
VR11IN	VR11OUT
VR11IN	VR11OUT
SYSTEM DC/DC (VREG1113)	
INPUTS	OUTPUTS
VR11IN	VR11OUT
VR11IN	VR11OUT
SYSTEM DC/DC (VREG1111)	
INPUTS	OUTPUTS
VR11IN	VR11OUT
VR11IN	VR11OUT
CPU DC/DC (VREG2003)	
INPUTS	OUTPUTS
VR20IN	VR20OUT
VR20IN	VR20OUT

MAXIM CHARGER (U900101)	
INPUTS	OUTPUTS
CHRGIN	CHRGOUT
CHRGIN	CHRGOUT

**Wistron Corporation**  
 1000 Wistron Blvd., Wistron, TN 37187  
 TEL: 615-875-1000 FAX: 615-875-1001

**Block Diagram**  
 JV70-CP - 1

# Acer Aspire 7740 7740g Jv70 C P Repair Service Manual

**F Rizvi**



**Acer Aspire 7740 7740g Jv70 C P Repair Service Manual:**

Eventually, you will no question discover a other experience and completion by spending more cash. nevertheless when? realize you take that you require to acquire those every needs in the manner of having significantly cash? Why dont you attempt to get something basic in the beginning? Thats something that will guide you to comprehend even more as regards the globe, experience, some places, later history, amusement, and a lot more?

It is your entirely own become old to play-act reviewing habit. in the middle of guides you could enjoy now is **Acer Aspire 7740 7740g Jv70 C P Repair Service Manual** below.

[https://learningcenter.csa.ca/results/book-search/Documents/ata\\_instructor\\_trainee\\_manual.pdf](https://learningcenter.csa.ca/results/book-search/Documents/ata_instructor_trainee_manual.pdf)

## **Table of Contents Acer Aspire 7740 7740g Jv70 C P Repair Service Manual**

1. Understanding the eBook Acer Aspire 7740 7740g Jv70 C P Repair Service Manual
  - The Rise of Digital Reading Acer Aspire 7740 7740g Jv70 C P Repair Service Manual
  - Advantages of eBooks Over Traditional Books
2. Identifying Acer Aspire 7740 7740g Jv70 C P Repair Service Manual
  - Exploring Different Genres
  - Considering Fiction vs. Non-Fiction
  - Determining Your Reading Goals
3. Choosing the Right eBook Platform
  - Popular eBook Platforms
  - Features to Look for in an Acer Aspire 7740 7740g Jv70 C P Repair Service Manual
  - User-Friendly Interface
4. Exploring eBook Recommendations from Acer Aspire 7740 7740g Jv70 C P Repair Service Manual
  - Personalized Recommendations
  - Acer Aspire 7740 7740g Jv70 C P Repair Service Manual User Reviews and Ratings
  - Acer Aspire 7740 7740g Jv70 C P Repair Service Manual and Bestseller Lists
5. Accessing Acer Aspire 7740 7740g Jv70 C P Repair Service Manual Free and Paid eBooks

- Acer Aspire 7740 7740g Jv70 C P Repair Service Manual Public Domain eBooks
  - Acer Aspire 7740 7740g Jv70 C P Repair Service Manual eBook Subscription Services
  - Acer Aspire 7740 7740g Jv70 C P Repair Service Manual Budget-Friendly Options
6. Navigating Acer Aspire 7740 7740g Jv70 C P Repair Service Manual eBook Formats
    - ePub, PDF, MOBI, and More
    - Acer Aspire 7740 7740g Jv70 C P Repair Service Manual Compatibility with Devices
    - Acer Aspire 7740 7740g Jv70 C P Repair Service Manual Enhanced eBook Features
  7. Enhancing Your Reading Experience
    - Adjustable Fonts and Text Sizes of Acer Aspire 7740 7740g Jv70 C P Repair Service Manual
    - Highlighting and Note-Taking Acer Aspire 7740 7740g Jv70 C P Repair Service Manual
    - Interactive Elements Acer Aspire 7740 7740g Jv70 C P Repair Service Manual
  8. Staying Engaged with Acer Aspire 7740 7740g Jv70 C P Repair Service Manual
    - Joining Online Reading Communities
    - Participating in Virtual Book Clubs
    - Following Authors and Publishers Acer Aspire 7740 7740g Jv70 C P Repair Service Manual
  9. Balancing eBooks and Physical Books Acer Aspire 7740 7740g Jv70 C P Repair Service Manual
    - Benefits of a Digital Library
    - Creating a Diverse Reading Collection Acer Aspire 7740 7740g Jv70 C P Repair Service Manual
  10. Overcoming Reading Challenges
    - Dealing with Digital Eye Strain
    - Minimizing Distractions
    - Managing Screen Time
  11. Cultivating a Reading Routine Acer Aspire 7740 7740g Jv70 C P Repair Service Manual
    - Setting Reading Goals Acer Aspire 7740 7740g Jv70 C P Repair Service Manual
    - Carving Out Dedicated Reading Time
  12. Sourcing Reliable Information of Acer Aspire 7740 7740g Jv70 C P Repair Service Manual
    - Fact-Checking eBook Content of Acer Aspire 7740 7740g Jv70 C P Repair Service Manual
    - Distinguishing Credible Sources
  13. Promoting Lifelong Learning
    - Utilizing eBooks for Skill Development

- Exploring Educational eBooks
14. Embracing eBook Trends
- Integration of Multimedia Elements
  - Interactive and Gamified eBooks

### **Acer Aspire 7740 7740g Jv70 C P Repair Service Manual Introduction**

Free PDF Books and Manuals for Download: Unlocking Knowledge at Your Fingertips In today's fast-paced digital age, obtaining valuable knowledge has become easier than ever. Thanks to the internet, a vast array of books and manuals are now available for free download in PDF format. Whether you are a student, professional, or simply an avid reader, this treasure trove of downloadable resources offers a wealth of information, conveniently accessible anytime, anywhere. The advent of online libraries and platforms dedicated to sharing knowledge has revolutionized the way we consume information. No longer confined to physical libraries or bookstores, readers can now access an extensive collection of digital books and manuals with just a few clicks. These resources, available in PDF, Microsoft Word, and PowerPoint formats, cater to a wide range of interests, including literature, technology, science, history, and much more. One notable platform where you can explore and download free Acer Aspire 7740 7740g Jv70 C P Repair Service Manual PDF books and manuals is the internet's largest free library. Hosted online, this catalog compiles a vast assortment of documents, making it a veritable goldmine of knowledge. With its easy-to-use website interface and customizable PDF generator, this platform offers a user-friendly experience, allowing individuals to effortlessly navigate and access the information they seek. The availability of free PDF books and manuals on this platform demonstrates its commitment to democratizing education and empowering individuals with the tools needed to succeed in their chosen fields. It allows anyone, regardless of their background or financial limitations, to expand their horizons and gain insights from experts in various disciplines. One of the most significant advantages of downloading PDF books and manuals lies in their portability. Unlike physical copies, digital books can be stored and carried on a single device, such as a tablet or smartphone, saving valuable space and weight. This convenience makes it possible for readers to have their entire library at their fingertips, whether they are commuting, traveling, or simply enjoying a lazy afternoon at home. Additionally, digital files are easily searchable, enabling readers to locate specific information within seconds. With a few keystrokes, users can search for keywords, topics, or phrases, making research and finding relevant information a breeze. This efficiency saves time and effort, streamlining the learning process and allowing individuals to focus on extracting the information they need. Furthermore, the availability of free PDF books and manuals fosters a culture of continuous learning. By removing financial barriers, more people can access educational resources and pursue lifelong learning, contributing to personal growth and professional development. This democratization of knowledge

promotes intellectual curiosity and empowers individuals to become lifelong learners, promoting progress and innovation in various fields. It is worth noting that while accessing free Acer Aspire 7740 7740g Jv70 C P Repair Service Manual PDF books and manuals is convenient and cost-effective, it is vital to respect copyright laws and intellectual property rights. Platforms offering free downloads often operate within legal boundaries, ensuring that the materials they provide are either in the public domain or authorized for distribution. By adhering to copyright laws, users can enjoy the benefits of free access to knowledge while supporting the authors and publishers who make these resources available. In conclusion, the availability of Acer Aspire 7740 7740g Jv70 C P Repair Service Manual free PDF books and manuals for download has revolutionized the way we access and consume knowledge. With just a few clicks, individuals can explore a vast collection of resources across different disciplines, all free of charge. This accessibility empowers individuals to become lifelong learners, contributing to personal growth, professional development, and the advancement of society as a whole. So why not unlock a world of knowledge today? Start exploring the vast sea of free PDF books and manuals waiting to be discovered right at your fingertips.

### **FAQs About Acer Aspire 7740 7740g Jv70 C P Repair Service Manual Books**

1. Where can I buy Acer Aspire 7740 7740g Jv70 C P Repair Service Manual books? Bookstores: Physical bookstores like Barnes & Noble, Waterstones, and independent local stores. Online Retailers: Amazon, Book Depository, and various online bookstores offer a wide range of books in physical and digital formats.
2. What are the different book formats available? Hardcover: Sturdy and durable, usually more expensive. Paperback: Cheaper, lighter, and more portable than hardcovers. E-books: Digital books available for e-readers like Kindle or software like Apple Books, Kindle, and Google Play Books.
3. How do I choose a Acer Aspire 7740 7740g Jv70 C P Repair Service Manual book to read? Genres: Consider the genre you enjoy (fiction, non-fiction, mystery, sci-fi, etc.). Recommendations: Ask friends, join book clubs, or explore online reviews and recommendations. Author: If you like a particular author, you might enjoy more of their work.
4. How do I take care of Acer Aspire 7740 7740g Jv70 C P Repair Service Manual books? Storage: Keep them away from direct sunlight and in a dry environment. Handling: Avoid folding pages, use bookmarks, and handle them with clean hands. Cleaning: Gently dust the covers and pages occasionally.
5. Can I borrow books without buying them? Public Libraries: Local libraries offer a wide range of books for borrowing. Book Swaps: Community book exchanges or online platforms where people exchange books.

6. How can I track my reading progress or manage my book collection? Book Tracking Apps: Goodreads, LibraryThing, and Book Catalogue are popular apps for tracking your reading progress and managing book collections. Spreadsheets: You can create your own spreadsheet to track books read, ratings, and other details.
7. What are Acer Aspire 7740 7740g Jv70 C P Repair Service Manual audiobooks, and where can I find them? Audiobooks: Audio recordings of books, perfect for listening while commuting or multitasking. Platforms: Audible, LibriVox, and Google Play Books offer a wide selection of audiobooks.
8. How do I support authors or the book industry? Buy Books: Purchase books from authors or independent bookstores. Reviews: Leave reviews on platforms like Goodreads or Amazon. Promotion: Share your favorite books on social media or recommend them to friends.
9. Are there book clubs or reading communities I can join? Local Clubs: Check for local book clubs in libraries or community centers. Online Communities: Platforms like Goodreads have virtual book clubs and discussion groups.
10. Can I read Acer Aspire 7740 7740g Jv70 C P Repair Service Manual books for free? Public Domain Books: Many classic books are available for free as they're in the public domain. Free E-books: Some websites offer free e-books legally, like Project Gutenberg or Open Library.

### **Find Acer Aspire 7740 7740g Jv70 C P Repair Service Manual :**

#### **ata instructor trainee manual**

[at&t cordless phone cl81219 manual](#)

[aston martin virage user manual](#)

#### **ata junior leadership program manual**

[at manger stories those there](#)

[aston martin virage and virage volante parts manual](#)

[aston martin dbs user manual](#)

#### **asus manual for**

[at the sheikhs command harlequin comics](#)

[asus wl330n manual](#)

#### **asvab practice test answer sheet**

#### **astrologisch paspoort steenbok 23 december19 januari**

[at t answering machine 1718 user manual](#)



**aston martin maintenance manual**

[asus l1n64 manual](#)

**Acer Aspire 7740 7740g Jv70 C P Repair Service Manual :**

[mathematics for college](#) - Mar 30 2023

web mission we want to help stem college students master core mathematics courses without sifting through the resources our goal is to bring our open courseware and high quality ones that are freely available online we ensure no obstacles in accessing the resources including not having to register log in enroll or jump through several menus

[maths colla ge pdf](#) - Jul 02 2023

web maths colla ge mental maths oct 03 2023 constructive approximation may 06 2021 counting on fall jun 26 2020 journey into the natural world in the fall and discover that numbers patterns shapes and much more can be found by observing everyday plants and animals counting on autumn jan 31 2021

**is no 1 ohio state the best team in college football why kirk** - Dec 27 2022

web 1 day ago 0 04 1 10 while ohio state was ranked as the no 1 team in the country in the f irst college football playoff rankings of the year kirk herbstreit is not convinced the buckeyes are the best

**caterina katia consani selected as fellow of the ams mathematics** - Aug 23 2022

web nov 1 2023 caterina katia consani selected as fellow of the ams posted on november 1 2023 posted in news congratulations to professor katia consani on her selection as a member of the 2024 class of fellows of the american mathematical society

**2024 best mathematics schools college factual** - Apr 30 2023

web 11 2 growth in graduates vanderbilt university is a great option for students pursuing a degree in mathematics vanderbilt is a fairly large private not for profit university located in the city of nashville a best colleges rank of 19 out of 2 217 colleges nationwide means vanderbilt is a great university overall

**maths collège by andré deledicq** - Jun 01 2023

web maths collège by andré deledicq maths collège by andré deledicq run 3 play it now at coolmathgames math patterning terms free patterns automaths math matiques pour le coll ge section internationale collge jacques monod 13170 lettre tic edu n19 octobre 2013 ac reunion fr your college your future trafford college playful learning

**mathematics temasek junior college** - Aug 03 2023

web mathematics mathematics is the music of reason said mathematician james joseph sylvester we believe a basic understanding of mathematics and statistics and the ability to think mathematically and statistically are essential for an

educated and informed people

**college mathematics college math university math** - Oct 05 2023

web online tool for solving integrals lim sums statistics problems math software integral solver with step by step explanations systems of 3 linear equations matrices matrices and vectors linear transformations algebraic operations with matrices the characteristic equation invarian factors and elementary divisors

**maths colla ge book** - Jan 28 2023

web maths colla ge collage in twenty first century literature in english aug 07 2022 collage in twenty first century literature in english art of crisis considers the phenomenon of the continued relevance of collage a form established over a hundred years ago to contemporary literature

**about the usf college of education university of south florida** - Feb 14 2022

web nov 1 2023 the usf college of education and the david c anchin center welcome justice palavra as the new associate director of the mathematics engineering and science achievement mesa program as the associate director of mesa palavra will oversee the advancement of the mesa program in the suncoast area school districts

**gaming the future exploring the predictive power of math** - Jul 22 2022

web oct 24 2023 gaming the future exploring the predictive power of math research tells us a lot about the past but it s not always great at predicting the future especially when there s a conflict and multiple parties are involved that s where game theory comes into play with game theory you can model a real world conflict even though you

**maths prodigy shona yu and the career shift to high school teaching** - Sep 04 2023

web nov 5 2023 shona yu a former a maths lecturer and tutor at universities in the uk and australia decided to make a career shift into school teaching james brickwood there was no intensive tutoring in her

what kind of math is college math effortless math - Jun 20 2022

web oct 16 2021 the best books to ace the clep college mathematics test clep college mathematics study guide step by step guide to preparing for the clep college mathematics test download 19 99 14 99 rated 4 29 out of 5 based on 78 customer ratings satisfied 63 students

*world university rankings 2024 by subject physical sciences* - Sep 23 2022

web the physical sciences subject ranking uses the same trusted and rigorous performance indicators as the times higher education world university rankings 2024 but the methodology has been recalibrated to suit the individual fields it highlights the universities that are leading across the following disciplines mathematics and statistics physics and

college of education university of south carolina - Oct 25 2022

web oct 24 2023 the daughter of two educators claire henke has always had a passion for learning a recent project in her

math history class introduced her to mathematical superhero gladys west west is a pioneer in the development of the global positioning system gps and is still sharing her love of math with students eager to listen

why calculus remains a math flash point education week - Feb 26 2023

web oct 30 2023 it is located in summit n j washington calculus has long been one of the most debated flash points in high school math the course is commonly seen as the pinnacle of the high school

*ixl math learn math online* - May 20 2022

web includes match polynomials and graphs find the radius or diameter of a circle solve a right triangle graph sine and cosine functions graph a discrete probability distribution see all 206 skills discover thousands of math skills covering pre k to 12th grade from counting to calculus with infinite questions that adapt to each student

qs world university rankings for mathematics 2023 - Mar 18 2022

web mar 22 2023 the world s top 100 universities discover the top 100 universities in the world based on the latest qs world university rankings by craig ocallaghan oct 10 2023 0m 8 4k top universities in new zealand find out the best universities in beautiful new zealand according to the qs world university rankings 2024

butler university creates 2 year debt free college degree to help - Apr 18 2022

web 2 days ago cnn butler university will become the third us college to join a network that offers a two year debt free associate degree program for students with a demonstrated financial need university

*maths collège youtube* - Nov 25 2022

web maths collège est une chaîne dédiée aux collégiens et à leurs parents en leur offrant une aide en mathématiques elle comprend des leçons et astuces pour comprendre les maths au collège

*il grande manuale delle droghe ebook louis lewin* - May 31 2022

web il grande manuale delle droghe l uso delle sostanze descritte in questo testo è diffuso in tutto il mondo e così si diffondono in tutto il mondo il il grande manuale delle

**loading interface goodreads** - Dec 26 2021

web discover and share books you love on goodreads

*il grande manuale delle droghe lewin louis amazon it libri* - Jun 12 2023

web il grande manuale delle droghe copertina flessibile 1 gennaio 2020 di louis lewin autore 3 8 15 voti visualizza tutti i formati ed edizioni questo articolo è acquistabile

**il grande manuale del pasticciere amazon it** - Nov 24 2021

web il grande manuale del pasticciere copertina rigida 25 ottobre 2017 il grande manuale del pasticciere copertina rigida 25 ottobre 2017 di mélanie dupuis autore 896 voti

[il grande manuale delle droghe formato kindle amazon it](#) - May 11 2023

web il grande manuale delle droghe formato kindle di louis lewin autore formato formato kindle 3 8 14 voti visualizza tutti i formati ed edizioni formato kindle 2 99 leggilo con

[il grande manuale delle droghe abebooks](#) - Apr 29 2022

web il grande manuale delle droghe by louis lewin and a great selection of related books art and collectibles available now at abebooks com

[il grande manuale delle droghe italian edition kindle edition](#) - Sep 22 2021

web il grande manuale delle droghe italian edition ebook lewin louis amazon in kindle store

**il grande manuale delle droghe louis lewin google books** - Mar 09 2023

web il grande manuale delle droghe fuori collana author louis lewin publisher keybook 2009 isbn 8861761623

9788861761629 length 368 pages subjects

*il grande manuale delle droghe by louis lewin ebook scribd* - Sep 03 2022

web read il grande manuale delle droghe by louis lewin with a free trial read millions of ebooks and audiobooks on the web ipad iphone and android

**il grande manuale delle droghe l lewin amazon it libri** - Feb 08 2023

web compra il grande manuale delle droghe spedizione gratuita su ordini idonei passa al contenuto principale it ciao scegli il tuo indirizzo libri ciao accedi account e liste

*il grande manuale delle droghe louis lewin libro* - Aug 14 2023

web il grande manuale delle droghe è un libro di louis lewin pubblicato da idea libri acquista su ibs a 16 00

**il grande manuale delle droghe lewin louis amazon it libri** - Jul 13 2023

web un must per chi come è era interessato ad un infarinatura generale sul mondo delle droghe divise per effetti sulla persona sono raccontati la sua storia gli effetti precisi e i danni

[il grande manuale delle droghe louis lewin sconto 5](#) - Aug 02 2022

web il grande manuale delle droghe è un libro di lewin louis pubblicato da idea libri con argomento droga sconto 5 isbn 9788862622875

**il grande manuale delle droghe louis lewin libro libreria ibs** - Apr 10 2023

web il grande manuale delle droghe è un libro di louis lewin pubblicato da keybook nella collana fuori collana acquista su ibs a 15 90

*il grande manuale delle droghe apple books* - Mar 29 2022

web may 11 2017 l uso delle sostanze descritte in questo testo è diffuso in tutto il mondo e così si diffondono in tutto il

mondo il bene e il male che esse son capaci di fare non vi è

**il grande manuale delle droghe italian edition kindle edition** - Feb 25 2022

web may 11 2017 buy il grande manuale delle droghe italian edition read kindle store reviews amazon com

**il grande manuale delle droghe lewin louis libreria ibs** - Jan 07 2023

web il grande manuale delle droghe è un ebook di lewin louis pubblicato da youcanprint nella collana youcanprint self publishing a 2 99 il file è in formato epub2 con adobe

**il grande manuale delle droghe by louis lewin barnes noble** - Nov 05 2022

web may 11 2017 l uso delle sostanze descritte in questo testo è diffuso in tutto il mondo e così si diffondono in tutto il mondo il bene e il male che esse son il grande manuale

**il grande manuale delle droghe louis lewin libraccio it** - Oct 04 2022

web pubblicato in germania nel 1924 con il titolo phantastica questo libro raccoglie i risultati delle ricerche compiute da lewin sulle sostanze psicotrope se fino ad allora si

*il grande manuale del pasticciere mélanie dupuis libro 1* - Oct 24 2021

web descrizione questo volume idirizzato sia ai professionisti che agli amanti della gastronomia organizza in modo sistematico le tecniche di pasticceria e fornisce gli

**il grande manuale delle droghe di louis lewin bestseller in** - Jul 01 2022

web acquista il bestseller il grande manuale delle droghe spedizione gratuita sopra i 25 euro su libreria universitaria

**il grande manuale delle droghe italian edition kindle edition** - Jan 27 2022

web il grande manuale delle droghe italian edition ebook louis lewin amazon in kindle store

**il grande manuale delle droghe louise lewin mondadori store** - Dec 06 2022

web acquista online il libro il grande manuale delle droghe di louise lewin in offerta a prezzi imbattibili su mondadori store carta payback di mondadori su mondadori store con

**hana yori dango myanimelist net** - Jul 08 2022

web sep 8 1996 390 650 views collection dragon ball looking for information on the anime hana yori dango find out more with myanimelist the world s most active online anime and manga community and database makino tsukushi a girl who comes from a poor family just wants to get through her two last years at eitoku gakuen quietly

**hana yori dango read free manga online at bato to** - May 18 2023

web volume 35 chapter 234 shoujomagic 2018 2023 bato to eitoku academy is a school that caters to children and from rich high society families hence makino who comes from a poor family is considered by others as the weed of the school the school is ruled by the flower four group more commonly known as the f4

*hana yori dango read free manga online at bato to* - Dec 13 2022

web 10 0 although tsukushi makino is from a poor family she attends an elite school for the super rich where her life has become intertwined with the f4 the ruling boys of the school in a whirlwind of love and confusion

**hana yori dango tome 3 kamio yoko amazon com au** - Jun 19 2023

web hana yori dango tome 3 kamio yoko on amazon com au free shipping on eligible orders hana yori dango tome 3

*hana yori dango kamio yoko free download borrow and* - Feb 15 2023

web hana yori dango kamio yoko free download borrow and streaming internet archive

**hana yori dango tomo 3 pdf scribd** - Sep 10 2022

web save save hana yori dango tomo 3 for later 0 0 found this document useful mark this document as useful 0 0 found this document not useful mark this document as not useful embed share jump to page you are on page 1 of 182 search inside document you might also like tomo 05 tomo 05 luis muñoz tomo 04 tomo 04 luis muñoz

*read hana yori dango manga on mangakakalot* - Oct 11 2022

web from viz although tsukushi makino is from a poor family she attends an elite school for the super rich where her life has become intertwined with the f4 the ruling boys of the school in a whirlwind of love and confusion in 1996 hana yori dango received the shogakukan manga award for shōjo this is the best selling shoujo manga in history

**hana yori dango boys over flowers e3 i won t be hurt** - Jun 07 2022

web jan 29 2020 the kdrama is good too just a bit different from the original story ngl the scene with rui and shizuka first reuniting cracked me up a little because of all the wind blowing their hair around

**hana yori dango volume 3 chapter 3 bato to** - Sep 22 2023

web hana yori dango volume 3 chapter 3 eitoku academy is a school that caters to children and from rich high society families hence makino who comes from a poor family is considered by others as the weed of the school

*boys over flowers hana yori dango vol 3 goodreads* - Oct 23 2023

web jun 25 1993 she is most famous for boys over flowers 花より男子 hana yori dango for which she received the shogakukan manga award in 1996 her work has been translated and distributed in asia europe and north america

read hana yori dango manga mangatown - Nov 12 2022

web sep 27 2019 boys over flowers jewelry box boys over flowers hana yori dango some call it volume 37 contains two short stories that take place 1 year after the end of boys over flowers volume 36 it also contains a section with some of the important events in the series that show the characters maturing plus a special bonus strip

*episode 3 of hana yori dango boys over flowers wiki* - May 06 2022

web goodbye to the person i like 君がくれた言葉 namida sayonara daisukina hito is the third episode of the japanese drama

hana yori dango it first aired on november 4 2005 on tbs in japan the episode marks the first appearance of nanako matsushima as tsubaki domyoji

[list of boys over flowers volumes wikipedia](#) - Aug 21 2023

web boys over flowers japanese 花より男子 hepburn hana yori dango lit dango preferred over flowers is a japanese manga series written and illustrated by yoko kamio the story is set in tokyo japan it centers on students at the fictional eitoku academy an elite school for children from rich families

**hana yori dango boys over flowers mangadex** - Apr 17 2023

web eitoku academy is a school that caters to children and from rich high society families hence makino who comes from a poor family is considered by others as the weed of the school the school is ruled by the flower four group more commonly known as the f4 the f4 leader and son of the wealthiest most powerful family in japan domyouji

*hana yori dango episode 3 eng sub bilibili* - Mar 04 2022

web dec 28 2022 hana yori dango episode 3 eng sub 8 5k viewsdec 28 2022 tokiramen 0 follower 49 videos follow recommended for you all anime 46 50 hana yori dango ep4 f4japan zelle213 6 9k views 46 50 hana yori dango ep5 f4japan zelle213 6 5k views 46 50 hana yori dango episode 1 eng sub tokiramen 20 6k

**boys over flowers japan drama rakuten viki** - Aug 09 2022

web japan boys over flowers 9 0 20 336 hana yori dango 2005 pg 13 9 episodes genres romantic comedy drama cast mao inoue matsumoto jun oguri shun and 2 more ep 1 watchlist subtitledenglish arabic german and 12 more subs by a bouquet of dango team about episodes subtitle team

[boys over flowers wikipedia](#) - Jul 20 2023

web boys over flowers japanese 花より男子 hepburn hana yori dango lit dango preferred over flowers is a japanese manga series written and illustrated by yoko kamio the story takes place in the fictional eitoku academy an elite school for children from rich families

**hana yori dango tome 3 pdf cyberlab sutd edu sg** - Apr 05 2022

web hana yori dango feb 06 2022 tsukushi makino est une jeune lycéenne de 16 ans issue d un milieu modeste qui est parvenue à rentrer dans l un des établissements les plus cotés du pays

[hana yori dango tome 3 by yoko kamio open library](#) - Jan 14 2023

web jun 18 2003 hana yori dango tome 3 by yoko kamio june 18 2003 glénat edition mass market paperback in french français

*hana yori dango tome 3 kamio yoko amazon de books* - Mar 16 2023

web select the department you want to search in

