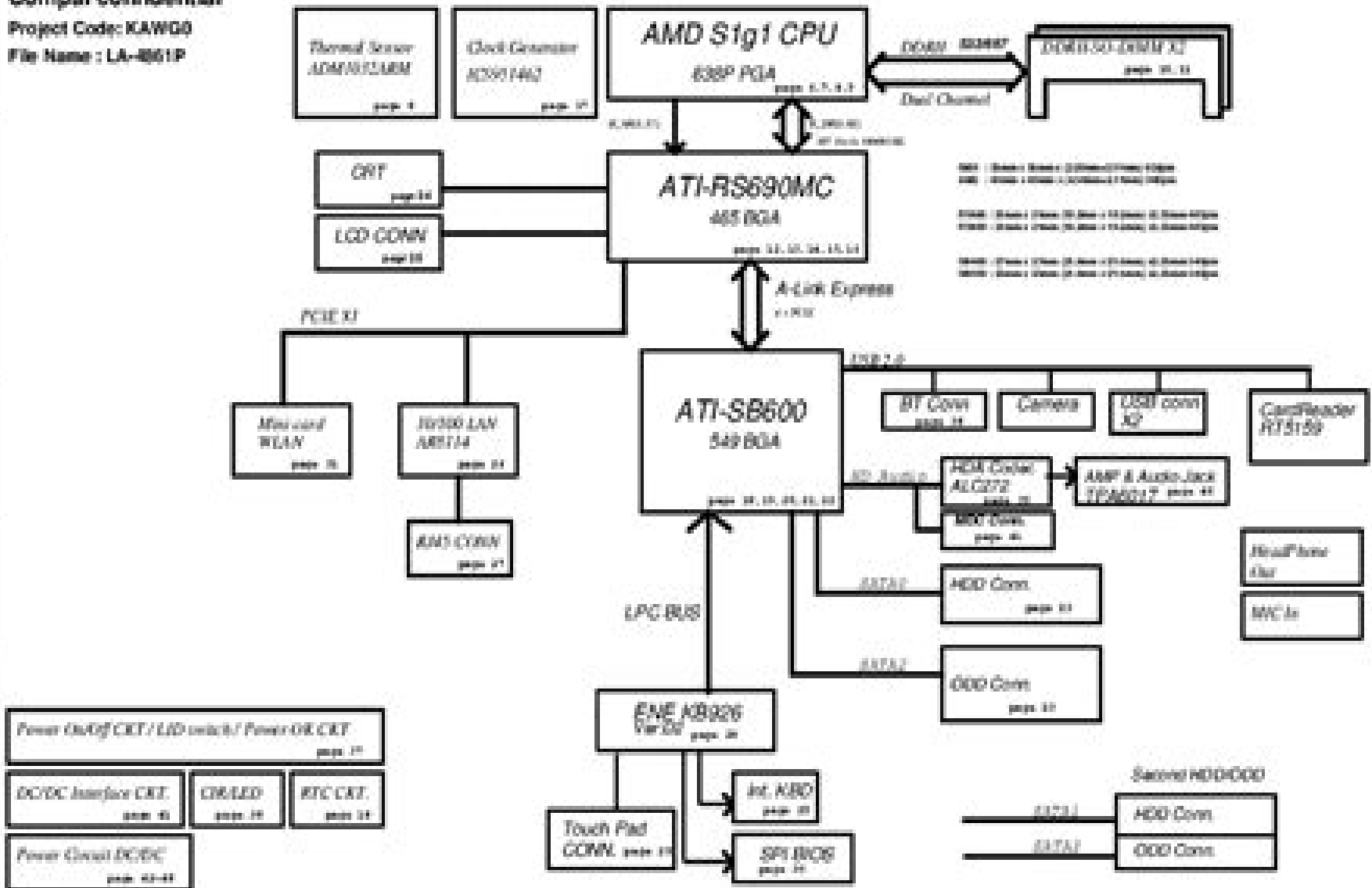


Compal confidential

Project Code: KAWG0

File Name : LA-881P



Rev. No.	001	Compal Form No.	000001	Compal Electronics, Inc.
Rev. Date	2008/08/04	Original Date	2008/08/04	50-SMATIC MB-A481
THIS DOCUMENT IS UNCLASSIFIED EXCEPT WHERE SHOWN OTHERWISE. IT IS THE PROPERTY OF COMPAL ELECTRONICS, INC. AND IS LOANED TO YOUR COMPANY. IT IS NOT TO BE REPRODUCED OR TRANSMITTED IN ANY FORM OR BY ANY MEANS, ELECTRONIC OR MECHANICAL, INCLUDING PHOTOCOPYING, RECORDING, OR BY ANY INFORMATION STORAGE AND RETRIEVAL SYSTEM.				4/1/2008 Page 1 of 1

Acer Kawg0 Manual

Annelies Wilder-Smith



Acer Kawg0 Manual:

Discover tales of courage and bravery in Explore Bravery with is empowering ebook, Unleash Courage in **Acer Kawg0 Manual** . In a downloadable PDF format (*), this collection inspires and motivates. Download now to witness the indomitable spirit of those who dared to be brave.

<https://learningcenter.csa.ca/files/scholarship/fetch.php/1982%20Yamaha%20Xt%20250%20Service%20Manual.pdf>

Table of Contents Acer Kawg0 Manual

1. Understanding the eBook Acer Kawg0 Manual
 - The Rise of Digital Reading Acer Kawg0 Manual
 - Advantages of eBooks Over Traditional Books
2. Identifying Acer Kawg0 Manual
 - Exploring Different Genres
 - Considering Fiction vs. Non-Fiction
 - Determining Your Reading Goals
3. Choosing the Right eBook Platform
 - Popular eBook Platforms
 - Features to Look for in an Acer Kawg0 Manual
 - User-Friendly Interface
4. Exploring eBook Recommendations from Acer Kawg0 Manual
 - Personalized Recommendations
 - Acer Kawg0 Manual User Reviews and Ratings
 - Acer Kawg0 Manual and Bestseller Lists
5. Accessing Acer Kawg0 Manual Free and Paid eBooks
 - Acer Kawg0 Manual Public Domain eBooks
 - Acer Kawg0 Manual eBook Subscription Services
 - Acer Kawg0 Manual Budget-Friendly Options
6. Navigating Acer Kawg0 Manual eBook Formats

- ePub, PDF, MOBI, and More
- Acer Kawg0 Manual Compatibility with Devices
- Acer Kawg0 Manual Enhanced eBook Features
- 7. Enhancing Your Reading Experience
 - Adjustable Fonts and Text Sizes of Acer Kawg0 Manual
 - Highlighting and Note-Taking Acer Kawg0 Manual
 - Interactive Elements Acer Kawg0 Manual
- 8. Staying Engaged with Acer Kawg0 Manual
 - Joining Online Reading Communities
 - Participating in Virtual Book Clubs
 - Following Authors and Publishers Acer Kawg0 Manual
- 9. Balancing eBooks and Physical Books Acer Kawg0 Manual
 - Benefits of a Digital Library
 - Creating a Diverse Reading Collection Acer Kawg0 Manual
- 10. Overcoming Reading Challenges
 - Dealing with Digital Eye Strain
 - Minimizing Distractions
 - Managing Screen Time
- 11. Cultivating a Reading Routine Acer Kawg0 Manual
 - Setting Reading Goals Acer Kawg0 Manual
 - Carving Out Dedicated Reading Time
- 12. Sourcing Reliable Information of Acer Kawg0 Manual
 - Fact-Checking eBook Content of Acer Kawg0 Manual
 - Distinguishing Credible Sources
- 13. Promoting Lifelong Learning
 - Utilizing eBooks for Skill Development
 - Exploring Educational eBooks
- 14. Embracing eBook Trends
 - Integration of Multimedia Elements
 - Interactive and Gamified eBooks

Acer Kawg0 Manual Introduction

In the digital age, access to information has become easier than ever before. The ability to download Acer Kawg0 Manual has revolutionized the way we consume written content. Whether you are a student looking for course material, an avid reader searching for your next favorite book, or a professional seeking research papers, the option to download Acer Kawg0 Manual has opened up a world of possibilities. Downloading Acer Kawg0 Manual provides numerous advantages over physical copies of books and documents. Firstly, it is incredibly convenient. Gone are the days of carrying around heavy textbooks or bulky folders filled with papers. With the click of a button, you can gain immediate access to valuable resources on any device. This convenience allows for efficient studying, researching, and reading on the go. Moreover, the cost-effective nature of downloading Acer Kawg0 Manual has democratized knowledge. Traditional books and academic journals can be expensive, making it difficult for individuals with limited financial resources to access information. By offering free PDF downloads, publishers and authors are enabling a wider audience to benefit from their work. This inclusivity promotes equal opportunities for learning and personal growth. There are numerous websites and platforms where individuals can download Acer Kawg0 Manual. These websites range from academic databases offering research papers and journals to online libraries with an expansive collection of books from various genres. Many authors and publishers also upload their work to specific websites, granting readers access to their content without any charge. These platforms not only provide access to existing literature but also serve as an excellent platform for undiscovered authors to share their work with the world. However, it is essential to be cautious while downloading Acer Kawg0 Manual. Some websites may offer pirated or illegally obtained copies of copyrighted material. Engaging in such activities not only violates copyright laws but also undermines the efforts of authors, publishers, and researchers. To ensure ethical downloading, it is advisable to utilize reputable websites that prioritize the legal distribution of content. When downloading Acer Kawg0 Manual, users should also consider the potential security risks associated with online platforms. Malicious actors may exploit vulnerabilities in unprotected websites to distribute malware or steal personal information. To protect themselves, individuals should ensure their devices have reliable antivirus software installed and validate the legitimacy of the websites they are downloading from. In conclusion, the ability to download Acer Kawg0 Manual has transformed the way we access information. With the convenience, cost-effectiveness, and accessibility it offers, free PDF downloads have become a popular choice for students, researchers, and book lovers worldwide. However, it is crucial to engage in ethical downloading practices and prioritize personal security when utilizing online platforms. By doing so, individuals can make the most of the vast array of free PDF resources available and embark on a journey of continuous learning and intellectual growth.

FAQs About Acer Kawg0 Manual Books

How do I know which eBook platform is the best for me? Finding the best eBook platform depends on your reading preferences and device compatibility. Research different platforms, read user reviews, and explore their features before making a choice. Are free eBooks of good quality? Yes, many reputable platforms offer high-quality free eBooks, including classics and public domain works. However, make sure to verify the source to ensure the eBook credibility. Can I read eBooks without an eReader? Absolutely! Most eBook platforms offer webbased readers or mobile apps that allow you to read eBooks on your computer, tablet, or smartphone. How do I avoid digital eye strain while reading eBooks? To prevent digital eye strain, take regular breaks, adjust the font size and background color, and ensure proper lighting while reading eBooks. What the advantage of interactive eBooks? Interactive eBooks incorporate multimedia elements, quizzes, and activities, enhancing the reader engagement and providing a more immersive learning experience. Acer Kawg0 Manual is one of the best book in our library for free trial. We provide copy of Acer Kawg0 Manual in digital format, so the resources that you find are reliable. There are also many Ebooks of related with Acer Kawg0 Manual. Where to download Acer Kawg0 Manual online for free? Are you looking for Acer Kawg0 Manual PDF? This is definitely going to save you time and cash in something you should think about. If you trying to find then search around for online. Without a doubt there are numerous these available and many of them have the freedom. However without doubt you receive whatever you purchase. An alternate way to get ideas is always to check another Acer Kawg0 Manual. This method for see exactly what may be included and adopt these ideas to your book. This site will almost certainly help you save time and effort, money and stress. If you are looking for free books then you really should consider finding to assist you try this. Several of Acer Kawg0 Manual are for sale to free while some are payable. If you arent sure if the books you would like to download works with for usage along with your computer, it is possible to download free trials. The free guides make it easy for someone to free access online library for download books to your device. You can get free download on free trial for lots of books categories. Our library is the biggest of these that have literally hundreds of thousands of different products categories represented. You will also see that there are specific sites catered to different product types or categories, brands or niches related with Acer Kawg0 Manual. So depending on what exactly you are searching, you will be able to choose e books to suit your own need. Need to access completely for Campbell Biology Seventh Edition book? Access Ebook without any digging. And by having access to our ebook online or by storing it on your computer, you have convenient answers with Acer Kawg0 Manual To get started finding Acer Kawg0 Manual, you are right to find our website which has a comprehensive collection of books online. Our library is the biggest of these that have literally hundreds of thousands of different products represented. You will also see that there are specific sites catered to different categories or niches related with Acer Kawg0 Manual So depending on what exactly you are searching, you will be able to choose ebook to suit your own need. Thank you for reading Acer Kawg0 Manual. Maybe you

have knowledge that, people have search numerous times for their favorite readings like this Acer Kawg0 Manual, but end up in harmful downloads. Rather than reading a good book with a cup of coffee in the afternoon, instead they juggled with some harmful bugs inside their laptop. Acer Kawg0 Manual is available in our book collection an online access to it is set as public so you can download it instantly. Our digital library spans in multiple locations, allowing you to get the most less latency time to download any of our books like this one. Merely said, Acer Kawg0 Manual is universally compatible with any devices to read.

Find Acer Kawg0 Manual :

[1982 yamaha xt 250 service manual](#)

1984 ford ranger shop repair manual

1980 yamaha srx snowmobile service repair manual 440 340

1982 1983 suzuki gs450ga service repair manual loose leaf

1982 82 honda nu50m nu50 urban express service shop repair manual oem factory

[1983 kawasaki bayou manual](#)

1983 1985 honda vt700c vt750c shadow service repair manual

1984 2000 mercury mariner outboard 2 5hp 275hp repair manual

1984 ahsme questions

[1984 1985 mercedes 107 123 126 201 service repair shop manual factory oem 84 85](#)

1984 mercedes 380sl owners manual

[1984 mallard travel trailer manual](#)

1980 honda cb900 custom manual

1985 1987 honda trx250 fourtrax service repair manual

[1980 honda cm200t repair manual](#)

Acer Kawg0 Manual :

qt 5 and opencv 4 computer vision projects github - Jul 15 2023

web nov 19 2018 qt 5 and opencv 4 computer vision projects this is the code repository for qt 5 and opencv 4 computer vision projects published by packt get up to speed with cross platform computer vision app development by building seven practical projects

qt 5 and opencv 4 computer vision projects apple books - Oct 06 2022

web jun 21 2019 qt 5 and opencv 4 computer vision projects get up to speed with cross platform computer vision app development by building seven practical projects zhuo qingliang 29 99 publisher description create image processing object detection and face recognition apps by leveraging the power of machine learning and deep learning with

qt 5 and opencv 4 computer vision projects awesome open - Dec 08 2022

web qt 5 and opencv 4 computer vision projects get up to speed with cross platform computer vision app development by building seven practical projects what is this book about we are entering the age of artificial intelligence and computer vision plays an important role in the ai field this book combines opencv 4 and qt 5 as well as many

[5 tech unlocked 2021 github let s build from here](#) - Jan 09 2023

web the 5 campaign runs from strong december 15th 2020 strong to strong january 13th 2021 strong em p n h1 tabindex 1 dir auto a id user content qt 5 and opencv 4 computer vision projects class anchor aria hidden true tabindex 1 href qt 5 and opencv 4 computer vision projects svg class octicon octicon l

qt 5 and opencv 4 computer vision projects open library - Mar 11 2023

web nov 1 2022 qt 5 and opencv 4 computer vision projects get up to speed with cross platform computer vision app development by building seven practical projects 2019 packt publishing limited in english

qt 5 and opencv 4 computer vision projects get up to speed - Dec 28 2021

web jun 21 2019 qt 5 and opencv 4 computer vision projects get up to speed with cross platform computer vision app development by building seven practical projects by zhuo qingliang author 4 5 4 5 out of 5 stars 4 ratings

[qt 5 and opencv 4 computer vision projects get up to speed](#) - Jun 14 2023

web jun 21 2019 qt 5 and opencv 4 computer vision projects get up to speed with cross platform computer vision app development by building seven practical projects 1st edition kindle edition

qt 5 and opencv 4 computer vision projects □□□□ - Aug 04 2022

web qt 5 and opencv 4 computer vision projects zhuo qingliang opencv and qt have proven to be a winning combination for developing cross platform computer vision applications by leveraging their power you can create robust applications with both an intuitive graphical user interface gui and high performance capabilities

starting the project from scratch qt 5 and opencv 4 computer vision - Mar 31 2022

web qt 5 and opencv 4 computer vision projects more info and buy play you re currently viewing a free sample access the full title and packt library for free now with a free trial starting the project from scratch in this section we

[qt 5 and opencv 4 computer vision projects get up to s](#) - Nov 07 2022

web qt 5 and opencv 4 computer vision projects get up to speed with cross platform computer vision app development by

building seven practical projects zhuo qingliang 0 00

summary qt 5 and opencv 4 computer vision projects packt - May 01 2022

web amin ahmadi tazehkandi 2018 computer vision with opencv 3 and qt5 1 building an image viewer 2 editing images like a pro 3 home security applications 4 fun with faces technical requirements the facetious application detecting facial landmarks applying masks to faces 5 optical character recognition 6 object detection in real time 7

[qt 5 and opencv 4 computer vision projects perlego](#) - May 13 2023

web qt 5 and opencv 4 computer vision projects get up to speed with cross platform computer vision app development by building seven practical projects zhuo qingliang book details book preview table of contents citations about this book

download pdf qt 5 and opencv 4 computer vision projects get up - Sep 05 2022

web download qt 5 and opencv 4 computer vision projects get up to speed with cross platform computer vision app development by building seven practical projects epub type epub size 26 5mb download as pdf

qt 5 and open cv 4 computer vision projects youtube - Jun 02 2022

web qt 5 and open cv 4 computer vision projects is available from packt com link 1 amazon link 2 this is the code in action video for chapter 1 of qt 5 and open cv 4 computer vision

qt 5 and opencv 4 computer vision projects get up to speed - Feb 10 2023

web buy qt 5 and opencv 4 computer vision projects get up to speed with cross platform computer vision app development by building seven practical projects by qingliang zhuo isbn 9781789532586 from amazon s book store everyday low prices and free delivery on eligible orders

to get the most out of this book qt 5 and opencv 4 computer vision - Jan 29 2022

web to get the most out of this book in order to achieve the overall outcome of this book the following are the prerequisites you need to have some basic knowledge of c and c programming languages you need to have qt v5 0 or above installed you need to have a webcam attached to your computer

qt 5 and opencv 4 computer vision projects get up to speed - Aug 16 2023

web qt 5 and opencv 4 computer vision projects get up to speed with cross platform computer vision app development by building seven practical projects zhuo qingliang packt publishing

qt 5 and opencv 4 computer vision projects packt - Apr 12 2023

web this book will help you learn through a variety of real world projects on image processing face and text recognition object detection and high performance computing you ll be able to progressively build on your skills by working on projects of increasing complexity

qt 5 and opencv 4 computer vision projects get up to speed - Jul 03 2022

web qt 5 and opencv 4 computer vision projects get up to speed with cross platform computer vision app development by building seven practical projects qingliang zhuo isbn 9781789532586 kostenloser versand für [setting up the full user interface qt 5 and opencv 4 computer vision](#) - Feb 27 2022

web setting up the full user interface qt 5 and opencv 4 computer vision projects you re currently viewing a free sample access the full title and packt library for free now with a free trial setting up the full user interface let s proceed with the development

baby lock manuals - Jun 03 2023

web choose from one of the product categories to easily find the baby lock manual you are looking for unable to find your baby lock product then search via the search bar for baby lock and the model to find your baby lock manual on manua ls there are currently 125 baby lock manuals divided into 4 categories

baby lock sewing machine user manuals download manualslib - Oct 07 2023

web download 193 baby lock sewing machine pdf manuals user manuals baby lock sewing machine operating guides and service manuals

[baby lock pro line bl4 838d instruction book manualslib](#) - Nov 27 2022

web view and download baby lock pro line bl4 838d instruction book online with qts pro line bl4 838d sewing machine pdf manual download

[babylock bl 4 736 manual](#) - Feb 16 2022

web babylock bl 4 736 manual 992 items manuals tascam teac professional audio 3 2 m 3 2m ajb 13 apr

baby lock bl4 736 df sewing machine instruction service manual - Sep 06 2023

web baby lock bl4 736 df sewing machine instruction service manual includes stitch length adjustment to convert from two thread to three thread or four thread presser foot adjustment replacing knives differential feed adjustment narrow rolled edging troubleshooting

[overlockers babylock bl4 736 bl4 736df bl4 738d sewing](#) - May 22 2022

web here you will find parts and accessories especially for your babylock overlock machine type babylock bl4 736 bl4 736df bl4 738d are you looking for lockmachine knives needles different locker feet such as the blind seam foot the elastic foot the wrinkle foot or a free instruction manual for your babylock babylock bl4 736 bl4 736df bl4

babylock model bl4 736 i fix machines - Jan 30 2023

web with our extensive collection of user manuals and guides you ll be able to get the most out of your sewing machine in no time visit ifixmachines com today to find the perfect manual for your needs babylock model bl4 736 i fix machines

instruction manual baby lock bl4 736 736d mrsewing - Apr 01 2023

web instruction manual baby lock bl4 736 736d 15 95 pay in 4 interest free installments for orders over 50 00 with learn more black and white copy 24 pages

bl4 736 babylock instruction manual pdf - Sep 25 2022

web bl4 736 babylock instruction manual user manual baby lock regalia english 71 pages aug 03 2021 web view the manual for the baby lock regalia here for free this manual comes under the category not categorized

[baby lock user manuals download manualslib](#) - Aug 05 2023

web a line natalie bl18a instruction and reference manual getting to know manual a line series catalog getting to know manual a line series sewing machines manual a lines sofia bl137a quick reference manual instruction and reference manual show all baby lock sewing machine manuals

babylock bl4 736 instruction manual sewing parts online - Jul 04 2023

web babylock bl4 736 instruction manual details babylock bl4 736 serger machine instruction manual model 4 736 26 pages lost your serger machine s manual we ve got you covered this instruction manual is the ultimate guide to unlock the full potential of your babylock bl4 736

[babylock bl4 736 serger machine parts sewing parts online](#) - Apr 20 2022

web babylock bl4 736 parts these parts and accessories are guaranteed to fit your babylock bl4 736 sewing machine loading shop our extensive selection of babylock bl4 736 parts accessories quick delivery 90 day returns

baby lock bl4 736 bl4 736d sewing machine instruction manual - Feb 28 2023

web 2 days ago baby lock bl4 736 bl4 736d sewing machine instruction manual user manual complete user guide languages english 24 pages original quality pdf user manual instant pdf download should you find yourself in need of a publication that is not presently listed please do not hesitate to reach out

babylock bl4 736 ok you can now order manuals - Mar 20 2022

web operating instructions user manual owner s manual installation manual workshop manual repair manual service manual illustrated parts list electric schematics electronic schematics babylock bl4 736 ok

bl4 736 babylock instruction manual gny salvationarmy org - Jul 24 2022

web sep 22 2023 bl4 736 babylock instruction manual as recognized adventure as skillfully as experience about lesson amusement as competently as contract can be gotten by just checking out a books bl4 736 babylock instruction manual also it is not directly done you could put up with even more on the order of this life in relation to the world

[babylock bl4 736d i fix machines](#) - Oct 27 2022

web ifixmachines com is your go to destination for sewing machine operator handbooks and instruction manuals we offer manuals for all major brands of machines including singer janome pfaff riccar and many more whether you need help with

sewing machine operation maintenance repair troubleshooting or finding replacement parts we have

baby lock machine and software support - May 02 2023

web updates classes events projects products at baby lock we have specialty sewing machines for sewers at every level

contact one of our retailers to find the best match for your next project

baby lock blcs service manual pdf download manualslib - Dec 29 2022

web view and download baby lock blcs service manual online blcs sewing machine pdf manual download

babylock 5360e user s guide instructions manual - Aug 25 2022

web babylock bl4 736 user manual babylock bl4 736 this user manual also called owner s manual or operating instructions contains all information for the user to make full use of the product this manual includes a description of the functions and capabilities and presents instructions as step by step procedures

bl4 736 babylock instruction manual heredload - Jun 22 2022

web this instruction manual is for the babylock model bl4 736 736d sewing machine it contains 22 pages of information on how to thread maintain and operate the machine this is a pdf down load able manual that you can print yourself or take to your local office supply store or print shop and let them print and bind it for you

atlante del mondo libro e puzzle ediz a colori con puzzle - Sep 05 2022

web compre online atlante del mondo libro e puzzle ediz a colori con puzzle de smith sam curll jana corazza chiara na amazon frete grÁtis em milhares de produtos com o amazon prime encontre diversos livros em inglÊs e outras línguas com ótimos preços

atlante del mondo libro e puzzle ediz a colori con puzzle - Jul 15 2023

web atlante del mondo libro e puzzle ediz a colori con puzzle è un libro di sam smith pubblicato da usborne acquista su ibs a 14 16

atlante del mondo libro e puzzle ediz a colori con puzzle - Feb 10 2023

web atlante del mondo libro e puzzle ediz a colori con puzzle libro di sam smith spedizione gratuita per ordini superiori a 25 euro acquistalo su libreriauniversitaria it pubblicato da usborne prodotto in più parti di diverso formato ottobre 2018 9781474957052

atlante del mondo libro e puzzle ediz a colori co sebastien - May 01 2022

web ediz a colori katie haworth 2020 incredible dot to dot 2017 08 find amazing dot to dot puzzles with everything from 100 to 1 000 dots the intensity builds as puzzles start easy but get harder as you go along puzzles will challenge kids answers are in the back and get them racing to join those dots color them in too each of the books

atlante puzzle del mondo ediz a colori enrico lavagno libro - May 13 2023

web all interno un libro di 24 pagine con le spiegazioni di tutte le immagini un atlante puzzle del mondo con i continenti le nazioni e oltre 800 illustrazioni un entusiasmante viaggio alla scoperta della terra per imparare divertendosi età di lettura da 6 anni

atlante del mondo libro e puzzle ediz a colori co minna - Feb 27 2022

web feasible you could quickly download this atlante del mondo libro e puzzle ediz a colori co after getting deal so subsequently you require the books swiftly you can straight get it its fittingly agreed simple and so fats isnt it you have to favor to in this appearance a spasso per la città le stradine ediz a colori katie haworth 2020

atlante del mondo libro e puzzle ediz a colori co pdf - Mar 31 2022

web nov 20 2022 atlante del mondo libro e puzzle ediz a colori co 2 5 downloaded from 198 58 106 42 on november 20 2022 by guest vivid life describing the political intrigue battles culture and society that shaped his writing dante alighieri s divine comedy has defined how people imagine and depict heaven and hell for over seven centuries

atlante del mondo libro e puzzle ediz a colori con puzzle by - Dec 28 2021

web atlante del mondo libro e puzzle ediz a colori con puzzle libro di sam smith sconto 5 e spedizione con corriere a solo 1 euro acquistalo su libreriauniversitaria it pubblicato da usborne publishing prodotto in più parti di diverso formato data pubblicazione ottobre

atlante del mondo libro e puzzle ediz a colori con puzzle - Mar 11 2023

web atlante del mondo libro e puzzle ediz a colori con puzzle smith sam curll jana corazza chiara amazon it libri

amazon it atlante illustrato d europa ediz a colori con puzzle - Aug 04 2022

web un idea regalo istruttiva un atlante d europa illustrato con centinaia di animali monumenti e attrazioni turistiche da individuare accompagnato da un fantastico puzzle da 300 tessere che raffigura la carta d europa

atlante del mondo libro e puzzle ediz a colori co pdf hipertexto - Jun 02 2022

web atlante del mondo libro e puzzle ediz a colori co pdf is available in our book collection an online access to it is set as public so you can download it instantly our digital library hosts in multiple countries allowing you to get the most less latency time to download any of our books like this one

atlante del mondo libro e puzzle ediz a colori con puzzle - Aug 16 2023

web un coloratissimo atlante illustrato con centinaia di animali monumenti e attrazioni turistiche da individuare e di cui parlare accompagnato da un puzzle da 300 pezzi di una mappa del mondo un idea regalo originale e istruttiva

l atlante del mondo da colorare ediz a colori libreria ibs - Oct 06 2022

web l atlante del mondo da colorare ediz a colori è un libro di giulia lombardo pubblicato da white star nella collana national geographic kids acquista su ibs a 14 00

atlante puzzle del mondo ediz a colori amazon it - Jun 14 2023

web un atlante puzzle del mondo con i continenti le nazioni e oltre 800 illustrazioni un entusiasmante viaggio alla scoperta della terra per imparare divertendosi all'interno un libro di 24 pagine con le spiegazioni di tutte le immagini età di lettura da 6 anni

atlante del mondo libro e puzzle ediz a colori con puzzle - Nov 07 2022

web atlante del mondo libro e puzzle ediz a colori con puzzle smith sam curll jana corazza chiara amazon com au books

atlante puzzle del mondo ediz a colori libreria universitaria - Jan 09 2023

web isbn 2889352927 pagine 24 formato cartonato argomenti libri puzzle età consigliata 6 anni acquistabile con il bonus 18app o la carta del docente descrizione del libro un atlante puzzle del mondo con i continenti le nazioni e oltre 800 illustrazioni un entusiasmante viaggio alla scoperta della terra per imparare divertendosi

atlante del mondo libro e puzzle ediz a colori co uniport edu - Jan 29 2022

web jun 7 2023 atlante del mondo libro e puzzle ediz a colori co 2 6 downloaded from uniport edu ng on june 7 2023 by guest storyteller tomi ungerer two young siblings find themselves cast away on mysterious fog island no one has ever returned from the island s murky shores but when the children begin to explore they

l atlante del mondo da colorare ediz a colori amazon it - Dec 08 2022

web l atlante del mondo da colorare ediz a colori lombardo giulia amazon it libri l atlante del mondo da colorare ediz a colori copertina rigida illustrato 22 giugno 2017 questo articolo è acquistabile con il bonus cultura e con il bonus carta del docente quando venduto e spedito direttamente da amazon

atlante del mondo libro e puzzle ediz a colori con puzzle - Apr 12 2023

web un coloratissimo atlante illustrato con centinaia di animali monumenti e attrazioni turistiche da individuare e di cui parlare accompagnato da un puzzle da 300 pezzi di una mappa del mondo un'idea regalo originale e istruttiva età di lettura da 3 anni

libro e puzzle ediz a colori atlante del mondo giochi puzzle - Jul 03 2022

web un coloratissimo atlante illustrato con centinaia di animali monumenti e attrazioni turistiche da individuare e di cui parlare accompagnato da un puzzle da 300 pezzi di una mappa del mondo un'idea regalo originale e istruttiva età di lettura da 3 anni