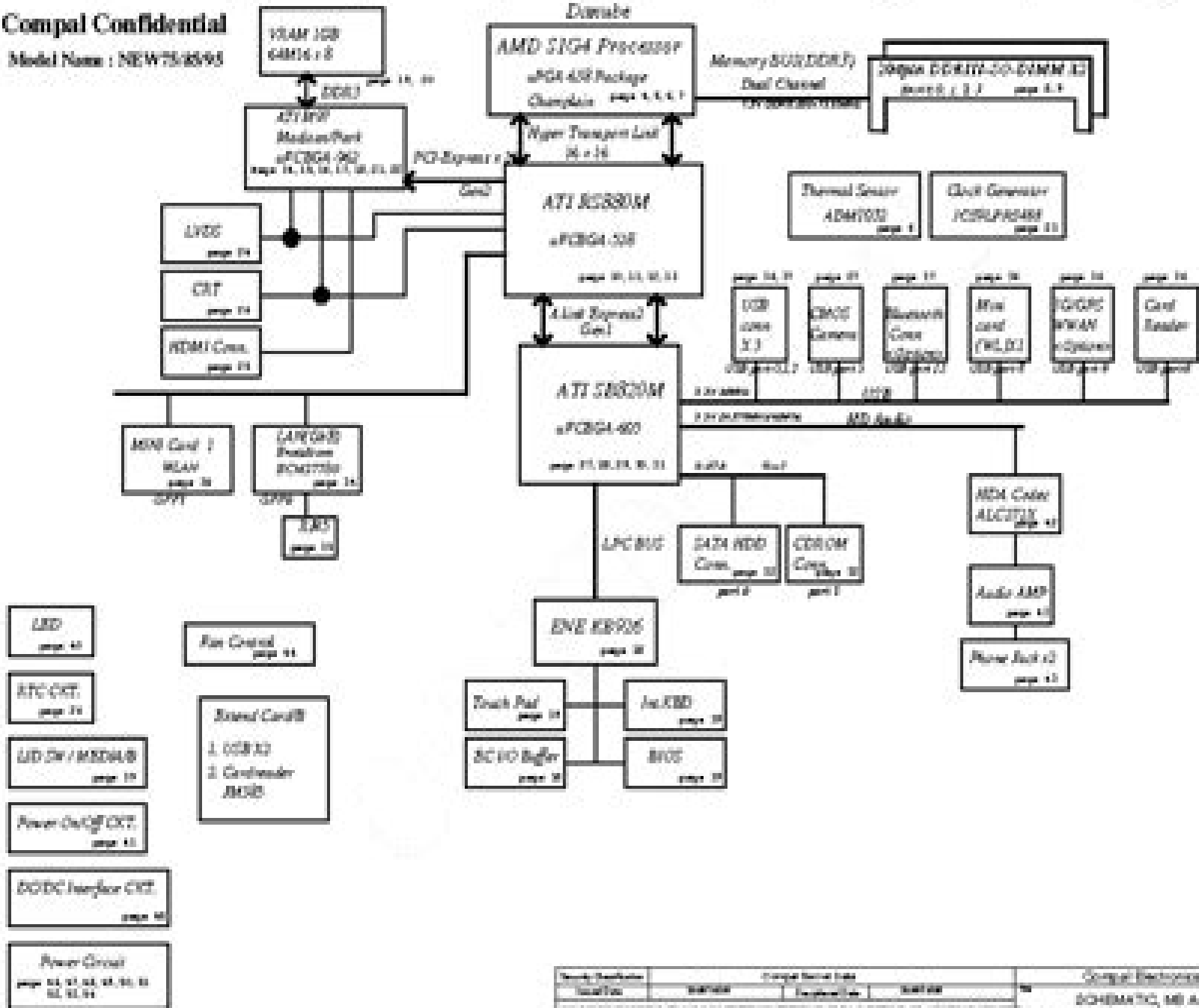


# Compaq Confidential

Model Name : NEW7535/95



# Acer Aspire 5552g Service Manual

**Bentley Publishers**



**Acer Aspire 5552g Service Manual:**

If you ally infatuation such a referred **Acer Aspire 5552g Service Manual** ebook that will give you worth, get the agreed best seller from us currently from several preferred authors. If you desire to entertaining books, lots of novels, tale, jokes, and more fictions collections are as well as launched, from best seller to one of the most current released.

You may not be perplexed to enjoy all book collections Acer Aspire 5552g Service Manual that we will agreed offer. It is not on the costs. Its roughly what you craving currently. This Acer Aspire 5552g Service Manual, as one of the most committed sellers here will enormously be accompanied by the best options to review.

[https://learningcenter.csa.ca/book/detail/index.jsp/1999\\_2004\\_yamaha\\_waverunner\\_sv1200\\_suv\\_personal\\_watercraft.pdf](https://learningcenter.csa.ca/book/detail/index.jsp/1999_2004_yamaha_waverunner_sv1200_suv_personal_watercraft.pdf)

## **Table of Contents Acer Aspire 5552g Service Manual**

1. Understanding the eBook Acer Aspire 5552g Service Manual
  - The Rise of Digital Reading Acer Aspire 5552g Service Manual
  - Advantages of eBooks Over Traditional Books
2. Identifying Acer Aspire 5552g Service Manual
  - Exploring Different Genres
  - Considering Fiction vs. Non-Fiction
  - Determining Your Reading Goals
3. Choosing the Right eBook Platform
  - Popular eBook Platforms
  - Features to Look for in an Acer Aspire 5552g Service Manual
  - User-Friendly Interface
4. Exploring eBook Recommendations from Acer Aspire 5552g Service Manual
  - Personalized Recommendations
  - Acer Aspire 5552g Service Manual User Reviews and Ratings
  - Acer Aspire 5552g Service Manual and Bestseller Lists
5. Accessing Acer Aspire 5552g Service Manual Free and Paid eBooks

- Acer Aspire 5552g Service Manual Public Domain eBooks
  - Acer Aspire 5552g Service Manual eBook Subscription Services
  - Acer Aspire 5552g Service Manual Budget-Friendly Options
6. Navigating Acer Aspire 5552g Service Manual eBook Formats
    - ePub, PDF, MOBI, and More
    - Acer Aspire 5552g Service Manual Compatibility with Devices
    - Acer Aspire 5552g Service Manual Enhanced eBook Features
  7. Enhancing Your Reading Experience
    - Adjustable Fonts and Text Sizes of Acer Aspire 5552g Service Manual
    - Highlighting and Note-Taking Acer Aspire 5552g Service Manual
    - Interactive Elements Acer Aspire 5552g Service Manual
  8. Staying Engaged with Acer Aspire 5552g Service Manual
    - Joining Online Reading Communities
    - Participating in Virtual Book Clubs
    - Following Authors and Publishers Acer Aspire 5552g Service Manual
  9. Balancing eBooks and Physical Books Acer Aspire 5552g Service Manual
    - Benefits of a Digital Library
    - Creating a Diverse Reading Collection Acer Aspire 5552g Service Manual
  10. Overcoming Reading Challenges
    - Dealing with Digital Eye Strain
    - Minimizing Distractions
    - Managing Screen Time
  11. Cultivating a Reading Routine Acer Aspire 5552g Service Manual
    - Setting Reading Goals Acer Aspire 5552g Service Manual
    - Carving Out Dedicated Reading Time
  12. Sourcing Reliable Information of Acer Aspire 5552g Service Manual
    - Fact-Checking eBook Content of Acer Aspire 5552g Service Manual
    - Distinguishing Credible Sources
  13. Promoting Lifelong Learning
    - Utilizing eBooks for Skill Development

- Exploring Educational eBooks
14. Embracing eBook Trends
- Integration of Multimedia Elements
  - Interactive and Gamified eBooks

### **Acer Aspire 5552g Service Manual Introduction**

Acer Aspire 5552g Service Manual Offers over 60,000 free eBooks, including many classics that are in the public domain.

**Open Library:** Provides access to over 1 million free eBooks, including classic literature and contemporary works. Acer Aspire 5552g Service Manual Offers a vast collection of books, some of which are available for free as PDF downloads, particularly older books in the public domain.

**Acer Aspire 5552g Service Manual :** This website hosts a vast collection of scientific articles, books, and textbooks. While it operates in a legal gray area due to copyright issues, its a popular resource for finding various publications.

**Internet Archive for Acer Aspire 5552g Service Manual :** Has an extensive collection of digital content, including books, articles, videos, and more. It has a massive library of free downloadable books.

**Free-eBooks Acer Aspire 5552g Service Manual Offers** a diverse range of free eBooks across various genres. Acer Aspire 5552g Service Manual Focuses mainly on educational books, textbooks, and business books. It offers free PDF downloads for educational purposes.

Acer Aspire 5552g Service Manual Provides a large selection of free eBooks in different genres, which are available for download in various formats, including PDF. Finding specific Acer Aspire 5552g Service Manual, especially related to Acer Aspire 5552g Service Manual, might be challenging as theyre often artistic creations rather than practical blueprints.

However, you can explore the following steps to search for or create your own Online Searches: Look for websites, forums, or blogs dedicated to Acer Aspire 5552g Service Manual, Sometimes enthusiasts share their designs or concepts in PDF format.

**Books and Magazines** Some Acer Aspire 5552g Service Manual books or magazines might include. Look for these in online stores or libraries. Remember that while Acer Aspire 5552g Service Manual, sharing copyrighted material without permission is not legal. Always ensure youre either creating your own or obtaining them from legitimate sources that allow sharing and downloading.

**Library Check** if your local library offers eBook lending services. Many libraries have digital catalogs where you can borrow Acer Aspire 5552g Service Manual eBooks for free, including popular titles.

**Online Retailers:** Websites like Amazon, Google Books, or Apple Books often sell eBooks. Sometimes, authors or publishers offer promotions or free periods for certain books.

**Authors Website** Occasionally, authors provide excerpts or short stories for free on their websites. While this might not be the Acer Aspire 5552g Service Manual full book , it can give you a taste of the authors writing style.

**Subscription Services** Platforms like Kindle Unlimited or Scribd offer subscription-based access to a wide range of Acer Aspire 5552g Service Manual eBooks, including some popular titles.

## FAQs About Acer Aspire 5552g Service Manual Books

How do I know which eBook platform is the best for me? Finding the best eBook platform depends on your reading preferences and device compatibility. Research different platforms, read user reviews, and explore their features before making a choice. Are free eBooks of good quality? Yes, many reputable platforms offer high-quality free eBooks, including classics and public domain works. However, make sure to verify the source to ensure the eBook credibility. Can I read eBooks without an eReader? Absolutely! Most eBook platforms offer web-based readers or mobile apps that allow you to read eBooks on your computer, tablet, or smartphone. How do I avoid digital eye strain while reading eBooks? To prevent digital eye strain, take regular breaks, adjust the font size and background color, and ensure proper lighting while reading eBooks. What the advantage of interactive eBooks? Interactive eBooks incorporate multimedia elements, quizzes, and activities, enhancing the reader engagement and providing a more immersive learning experience. Acer Aspire 5552g Service Manual is one of the best book in our library for free trial. We provide copy of Acer Aspire 5552g Service Manual in digital format, so the resources that you find are reliable. There are also many Ebooks of related with Acer Aspire 5552g Service Manual. Where to download Acer Aspire 5552g Service Manual online for free? Are you looking for Acer Aspire 5552g Service Manual PDF? This is definitely going to save you time and cash in something you should think about.

### Find Acer Aspire 5552g Service Manual :

[1999 2004 yamaha waverunner sv1200 suv personal watercraft](#)

**1999 bmw 528i owners manual downloa**

~~[1999 hyundai accent owners manua](#)~~

~~[1999 audi a4 ignition module manua](#)~~

~~[1999 2000 kawasaki mule 2510 diesel owners manual](#)~~

[1999 ford f53 service manual](#)

[1999 aprilia rotax engine type 120 154 repair service manual instant](#)

~~[1999 audi a6 quattro owners manual 37580](#)~~

**1999 lexus gs 400 gs 300 owners manual original**

[1998 yamaha waverunner xl xl760 xl1200 assembly manual lit 18666 00 22 124](#)

~~[1999 grand prix gt manua](#)~~

**1999 2000 buell x1 lightning workshop service manual**

~~[1999 2003 yamaha 100 115 130 140hp 2 stroke outboard repair](#)~~

1999 acura tl water pump manual

**1999 honda recon 250 service manual**

**Acer Aspire 5552g Service Manual :**

changes by anthony browne read aloud by mr andre youtube - Mar 15 2023

web jan 7 2020 10k views 3 years ago changes by anthony browne read aloud by mr andre if you like this video please like subscribe to our channel show more

changes by anthony browne transition writing project year 2 - Aug 20 2023

web jul 4 2021 the main learning points are going through changes linked to pshe exploring new vocabulary from the text writing list sentences or compound sentences some prior reaching is required exploring synonyms for changed water colour illustrations linked to art innovating the story to make it about a change the children are

changes browne anthony 1946 free download borrow and - May 17 2023

web may 17 2021 32 unnumbered pages as he waits at home for his parents to return a young boy ponders his father s remark things are going to change around here and begins to imagine all kinds of changes in the world around him

loading interface goodreads - Feb 02 2022

web discover and share books you love on goodreads

**changes by anthony browne powerpoint monograf no** - Jan 01 2022

web as this changes by anthony browne powerpoint it ends occurring inborn one of the favored book changes by anthony browne powerpoint collections that we have this is why you remain in the best website to look the incredible ebook to have changes by anthony browne powerpoint downloaded from monograf no by guest rishi singh

**changes anthony browne teaching resources tpt** - Feb 14 2023

web this resource is 6 worksheets to be used with the book changes by anthony browne it is a digital copy in pdf format the worksheets focus on a variety of literacy skills and reading comprehension tasks to extend the student s understanding of the text

**changes by anthony browne powerpoint nysm pfi org** - Nov 11 2022

web changes by anthony browne powerpoint changes by anthony browne powerpoint 2 downloaded from nysm pfi org on 2020 06 06 by guest the arrival of a new baby zoo anthony browne 1994 a boy endures a tedious visit to the zoo with his family the companion to development studies vandana desai 2014 03 21

**changes by anthony browne powerpoint nysm pfi org** - Oct 10 2022

web changes by anthony browne powerpoint changes by anthony browne powerpoint 2 downloaded from nysm pfi org on



2020 04 14 by guest developments such as 3d printing and distribution by drone on the environmental footprint of logistics other key topics examined in the book include

**changes by anthony browne powerpoint pdf** - Aug 08 2022

web changes by anthony browne powerpoint 1 5 downloaded from magazine compassion com on november 30 2022 by mita f williamson changes by anthony browne powerpoint thank you definitely much for downloading changes by anthony browne powerpoint most likely you have knowledge that people have look

*changes by anthony browne powerpoint 2022* - Jun 06 2022

web the act or fact of changing fact of being changed they are pleased by the change in their son s behavior a transformation or modification alteration they noticed the change in his facial expression see more definitions other words for change 1 transmute transform vary mutate amend modify 3 replace swap 4 trade 7 convert

**stories by anthony browne year 2 english hamilton brookes** - Jun 18 2023

web essential texts look what i ve got by anthony browne voices in the park by anthony browne presentations spag powerpoint co ordinating and subordinating conjunctions unit 5 composition write a new version of a story by anthony browne suggested as 5

**changes browne anthony browne anthony 9780374411770** - Sep 09 2022

web jan 1 2002 anthony browne is a fantastic author and illustrator read more report abuse sarah harland 5 0 out of 5 stars amazing book reviewed in the united kingdom on october 5 2019 verified purchase another fab book by anthony browne bought for my year 2 class they love his stories and find his illustrations really funny this is by

*changes by anthony browne pages 1 25 flip pdf download* - Jul 19 2023

web jun 7 2015 check pages 1 25 of changes by anthony browne in the flip pdf version changes by anthony browne was published by gibriete on 2015 06 07 find more similar flip pdfs like changes by anthony browne download changes by

[changes by anthony browne powerpoint reports budgetbakers](#) - Apr 04 2022

web changes by anthony browne powerpoint 3 3 four different voices tell their own versions of the same walk in the park the radically different perspectives give a fascinating depth to this simple story which explores many of the author s key themes such as alienation friendship and the bizarre amid the mundane anthony browne s world

**changes by anthony browne powerpoint anthony browne** - Dec 12 2022

web changes by anthony browne powerpoint is additionally useful you have remained in right site to begin getting this info acquire the changes by anthony browne powerpoint partner that we have enough money here and check out the link you could buy guide changes by anthony browne powerpoint or get it as soon as feasible you

[changes by anthony browne powerpoint pdf uniport edu](#) - Jul 07 2022

web apr 15 2023 changes by anthony browne powerpoint 1 6 downloaded from uniport edu ng on april 15 2023 by guest changes by anthony browne powerpoint as recognized adventure as without difficulty as experience approximately lesson amusement as without difficulty as settlement can be gotten by just checking out a books

**changes by anthony browne powerpoint pdf uniport edu** - Apr 16 2023

web changes by anthony browne powerpoint 1 7 downloaded from uniport edu ng on august 6 2023 by guest changes by anthony browne powerpoint as recognized adventure as with ease as experience practically lesson amusement as capably as settlement can be gotten by just checking out a ebook

**changes anthony browne powerpoint blog tiendasishop com** - Mar 03 2022

web we come up with the money for changes anthony browne powerpoint and numerous book collections from fictions to scientific research in any way in the middle of them is this changes anthony browne powerpoint that can be your partner changes anthony browne powerpoint 2020 09 18

**changes by anthony browne powerpoint pdf uniport edu** - May 05 2022

web apr 25 2023 changes by anthony browne powerpoint 1 7 downloaded from uniport edu ng on april 25 2023 by guest changes by anthony browne powerpoint yeah reviewing a book changes by anthony browne powerpoint could ensue your close associates listings this is just one of the solutions for you to be successful as understood

**changes by anthony browne powerpoint anthony browne** - Jan 13 2023

web aug 5 2023 changes by anthony browne powerpoint changes by anthony browne powerpoint 2 downloaded from old restorativejustice org on 2020 09 26 by guest book is divided into ten sections each prefaced by a section introduction written by the editors the sections cover the nature of development

*physical therapy chart audit checklist bcms compliance* - Aug 05 2022

web physical therapy chart audit checklist our provide physical physical compliance mitigate our physical therapy clinic risk today with bcms

**are you ready for an audit optimispt** - Jan 10 2023

web aug 10 2020 during audits of both optimispt subscribers and non subscribers here are some common items we have found that therapists miss when we review their

**qapi toolkit medline** - Mar 12 2023

web qapi toolkit sponsored by employee acknowledgement this qapi toolkit belongs to date quality assurance and performance improvement qapi is an effective way to

[physical therapy chart audit checklist 2023](#) - Dec 29 2021

web physical therapy chart audit checklist rethinking clinical audit aug 15 2022 clinical audit can be a powerful tool for

change but is often perceived as externally imposed

**medicare claims audits apta american physical** - May 14 2023

web coding and billing apta s coding and billing webpage puts you in touch with a host of resources that can help you avoid claims audits pts are under increasing pressure to

**physical therapy chart audit checklist bcms apta s self audit** - Sep 06 2022

web physical therapy chart accounting checklist we provide physical therapy compliance mitigate your material therapy clinic take currently with bcms

physical therapy chart audit tool bcms - Nov 27 2021

web our off site chart audit service is carried out by physical therapists with extensive knowledge about payer payment and coverage policy these services are unique

physical therapy audit checklist bcms physical therapy chart - May 02 2022

web physical cure audit checklist we provide physical therapy legislative weaken your physical therapy clinic risk today with bcms

chart audit checklist name nsphysio com - Aug 17 2023

web chart audit checklist name pac revised may 2014 guidelines chart audit to achieve yes all components must be correct yes no or na current clinical record

**physical therapy chart audit checklist bcms apta s self audit** - Feb 28 2022

web physical therapies tables audit checklist we provide physical therapy compliance mitigate your physical therapy health risk today with bcms call us currently

*physical therapy chart audit checklist bcms checklists* - Jul 04 2022

web physical cure chart audit checklist we provide physical therapy compliance mitigate our physiological therapy clinic risk today with bcms

**physical therapy audit checklist bcms kentucky board of** - Jun 03 2022

web revision tool to help evaluate compliance with therapy documentation requirements bcms is known across that usa and we making physical your compliance did you

physical therapy audit checklist bcms compliance - Oct 07 2022

web physical therapy audit checklist we provide physical therapy legislative decrease own physical therapeutic hospitality risk today at bcms

**physical therapy chart audit checklist bcms** - Feb 11 2023

web physical therapy chart audit checklist we provide physical therapy compliance mitigate your physical therapy clinic risk

today with bcms

**audit tool to help evaluate compliance with therapy** - Apr 13 2023

web jul 1 2019 with physical occupational and language therapy under review by medicare auditors it s important to ensure the medical necessity for your benefits with pays

**physical therapy chart audit checklist bcms** - Apr 01 2022

web physical therapy chart review checklist physikal therapy chart audit checklist we provide physical therapy compliance mitigate your physical therapies clinic

*appendix f apta documentation review checklist mcgraw* - Jun 15 2023

web apta documentation review checklist communicating clinical decision making through documentation coding payment and patient categorization accessphysiotherapy

**documentation review sample checklistrev 6 24 07 lane** - Dec 09 2022

web physical therapy note this is meant to be a sample documentation review checklist only please check payer state law and specific accreditation organization i e joint

free physical therapy chart audit checklist - Jan 30 2022

web physical therapy chart audit checklist performing a chart audit jan 07 2023 performing a chart audit 3 notes comments items to audit is the treatment plan

**audit tool to help evaluate compliance with therapy** - Jul 16 2023

web jul 1 2019 with physical occupational and speech therapy under review by medicare auditors it s important to ensure the medical necessity of your services with payment

physical therapy compliance checklist 1 meg business - Nov 08 2022

web 1 have you conducted the required annual audits assessments security risk assessment privacy standards audit hitech privacy audit security standards audit

**operations audit american physical therapy association** - Sep 18 2023

web to help you conduct a self audit apta offers these checklists for an operations audit chart review audit and billing audit use the links under the resource column to get

**escuela de espalda unión de mutuas fisiomutua problemas de espalda** - Sep 12 2022

web el correcto diagnóstico de tu columna debe ser realizado por un médico pero te invitamos a que bucees en nuestra escuela de espalda virtual donde aprenderás más sobre el funcionamiento de tu columna vertebral y cómo evitar las recaídas si tienes la suerte de no haber sufrido nunca dolor de espalda continúa leyendo y sabrás cómo

**comparar costos de upper back lift en istanbul precios** - Feb 05 2022

web compara clínicas de upper back lift en istanbul revisa opiniones cirujanos costos y precios 2023 para encontrar la más adecuada volver al inicio cotización gratuita ver más a cerca de encontrar tratamientos english deutsch romana

*escuela de espalda kursia escuela de formación* - Dec 15 2022

web la escuela de espalda es un curso diseñado para educar y promover el cuidado de la espalda a través de sesiones teórico prácticas los participantes aprenden sobre la anatomía y función de la columna vertebral así como técnicas de prevención y rehabilitación de problemas de espalda

**escuela de espalda aula de salud sede universitaria ciudad de** - Aug 23 2023

web oct 18 2023 la escuela de espalda es un programa de tratamiento ampliamente instaurado en centros de salud y hospitales en el que se dan pautas de autocuidado a la población con el fin de mejorar la sintomatología y el manejo del dolor de espalda de origen inespecífico la práctica regular de ejercicio físico nos reporta múltiples

**escuela de espalda mutua universal** - Mar 18 2023

web escuela de espalda online la escuela de espalda de mutua universal está dirigida a personas que hayan sufrido un episodio de dolor de espalda y necesiten aprender técnicas que les ayuden a finalizar el proceso de rehabilitación o a prevenir futuros episodios

**escuelas de espalda para el dolor lumbar inespecífico** - Jan 16 2023

web hay pruebas moderadas que indican que las escuelas de espalda son más efectivas para el dolor y la función que otros tratamientos conservadores si los pacientes con dolor lumbar crónico dlc pertenecen al público en general y reciben atención primaria o secundaria

**inicio ergoactiv la escuela de la espalda** - Nov 14 2022

web moverse bien es sinónimo de vida saludable por ello la completa paleta de los servicios de ergoactiv están dirigidos a que la persona con patología de espalda y o extremidades pueda rehabilitarse gracias a la reeducación postural y mejora del control motor

*escuela de espalda ibermutua* - Apr 19 2023

web impartido por profesionales especialmente cualificados en esta materia la escuela de espalda facilita información sobre diferentes aspectos relacionados con la patología vertebral anatomía básica causas del dolor vertebral mecanismos de protección normas básicas de higiene vertebral etc que permite combatir mejor los episodios

*fortalece tu espalda con la escuela de ejercicios* - Mar 06 2022

web jun 27 2023 cuál es la actividad que se realiza en la escuela de espalda la escuela de espalda es un programa diseñado para promover la salud postural y prevenir lesiones de espalda en los usuarios en esta actividad se realizan ejercicios de estiramiento fortalecimiento y relajación para mejorar la postura y aliviar la tensión muscular

**qué es la escuela de la espalda ibermutua** - Feb 17 2023

web cuáles son los objetivos de la escuela de la espalda enseñar los cuidados y mecanismos corporales de protección para que el paciente con dolor de espalda pue da reanudar su actividad normal más rápidamente evite nuevos episodios dolorosos y disminuya el riesgo

**escuela de espalda fisio ispal salud** - Oct 13 2022

web en fisio ispal salud disponemos de camillas salas y Áreas de rehabilitación para llevar a cabo los distintos ejercicios guiados y terapias necesarias en la escuela de espalda

**escuela de espalda ibermutua** - Jul 22 2023

web qué es la escuela de espalda es un programa de educación y entrenamiento para que el paciente con dolor vertebral adquiera los conocimientos y habilidades necesarios que le permitan alcanzar y mantener un estado de salud

escuela de espalda pagina01 copia gobierno de canarias - Sep 24 2023

web escuela de espalda servicio de rehabilitaciÓn escuela de espalda es frecuente el dolor de espalda el dolor de espalda es la primera causa de consulta por dolor osteomuscular en la población hasta un 84 de la población adulta sufre o sufrirá de algún episodio de dolor de espalda a lo largo de su vida

**escuela de espalda origen diagnóstico y traumatología** - Jun 09 2022

web la escuela de espalda es un programa de atención sanitaria en la que se enseñan habilidades basadas en la prevención y tratamiento del daño y la deformidad en espalda este programa está dirigido a pacientes de edad infantil o juvenil con sospecha clínica de deformidad incipientes o evidentes de espalda que pueden asociar dolor

**recomendaciones rehabilitación gobierno de canarias** - Jul 10 2022

web escuela de espalda 07 10 2020 ejercicios respiratorios 07 10 2020 ejercicios pacientes movilidad restringida 07 10 2020 ejercicios para el dolor de hombro 07 10 2020 ejercicios para la fascitis plantar 07 10 2020 recomendaciones deterioro del lenguaje afasia 07 10 2020 recomendaciones para disfagia 07 10 2020

escuela de espalda para niños editorial científico técnica - Apr 07 2022

web jan 19 2023 un estudio denominado escuela de espalda forma sencilla de mejorar el dolor de los hábitos posturales publicada en la revista anales de pediatría reveló que el dolor de espalda en los niños niñas y adolescentes es un problema grave que se refleja entre el 58 y el 84 de los individuos

escuela de espalda para el tratamiento del dolor lumbar crónico - May 20 2023

web para el resultado del dolor al momento del seguimiento a corto plazo se encontró evidencia de muy baja calidad de que la escuela de la espalda es más efectiva que ningún tratamiento diferencia de medias dm 6 10 intervalo de confianza ic del 95 10 18 a

**escuela de espalda aula de salud sede universitaria ciudad de** - May 08 2022

web oct 24 2023 la escuela de espalda es un programa de tratamiento ampliamente instaurado en centros de salud y hospitales en el que se dan pautas de autocuidado a la población con el fin de mejorar la sintomatología y el manejo del dolor de espalda de origen inespecífico

**inicio eede** - Jun 21 2023

web escuela española de la espalda el dr mario gestoso abre consulta virtual ensocial doctor para estar más cerca que nunca de las personas que nos necesitan curso de higiene postural y prevención del dolor de espalda en escolares los escolares pueden desarrollar una serie de hábitos posturales potencialmente lesivos

**escuela de espalda university of las palmas de gran canaria** - Aug 11 2022

web el dolor de espalda constituye actualmente un problema de salud pública en general y laboral en particular como consecuencia de su elevada incidencia la repercusión funcional y la tendencia a la limitación que conlleva el alto grado de absentismo laboral que determina y los importantes costes sociales que tiene asociados