

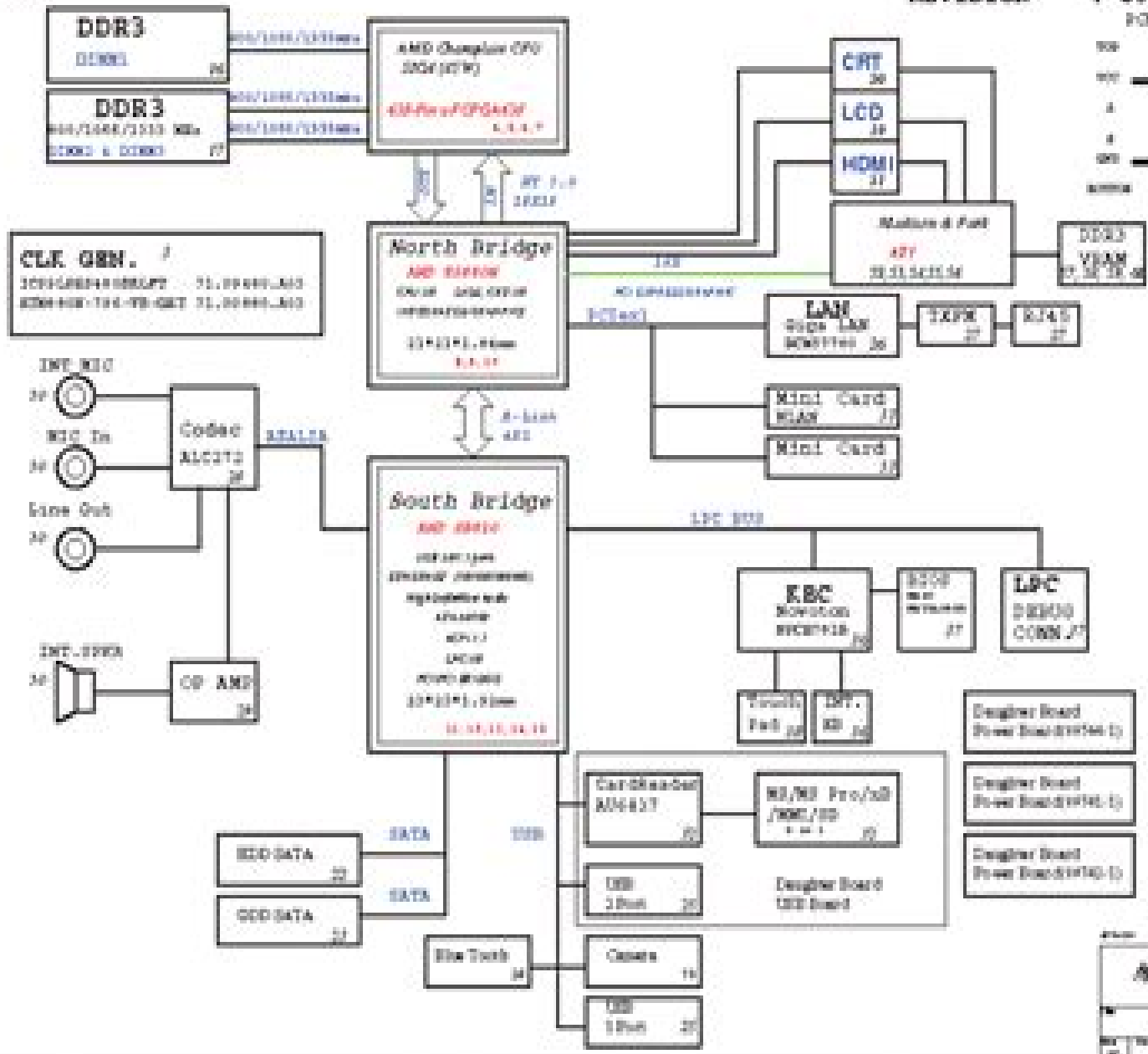
JE70-DN/SJV71-DN/HM72-DN Block Diagram

Project code: 91.4HP01.001
 PCB P/N : 48.4HP01.011
 REVISION : 09929-1

PCB STACKUP

100	---
100	---
4	---
4	---
100	---
1000	---

SYSTEM DC/DC RTD223		47
INVPD1	OUTVPD1	
INVPD2	OUTVPD2	
SYSTEM DC/DC RTD209B		66
INVPD3	OUTVPD3	
INVPD4	OUTVPD4	
SYSTEM DC/DC RTD215A		47
INVPD5	OUTVPD5	
INVPD6	OUTVPD6	
RTD221		47
INVPD7	OUTVPD7	
RTD243		47
INVPD8	OUTVPD8	
RTD217		47
INVPD9	OUTVPD9	
INVPD10	OUTVPD10	
CPU DC/DC RTD219B		47
INVPD11	OUTVPD11	
INVPD12	OUTVPD12	
CPU DC/DC RTD219A		47
INVPD13	OUTVPD13	
INVPD14	OUTVPD14	
CPU DC/DC RTD219C		47
INVPD15	OUTVPD15	
INVPD16	OUTVPD16	



Wistron Corporation
 BLOCK DIAGRAM
 JE70-DN

Acer Aspire 7551 Manual

Steck-Vaughn Company, Stckvagn



Acer Aspire 7551 Manual:

Indonesia Edimon Ginting, Christopher Manning, Kiyoshi Taniguchi, 2018-02-01 The book focuses on Indonesia's most pressing labor market challenges and associated policy options to achieve higher and more inclusive economic growth. The challenges consist of creating jobs for and the skills in a youthful and increasingly better educated workforce and raising the productivity of less educated workers to meet the demands of the digital age. The book deals with a range of interrelated topics: the changing supply and demand for labor in relation to the shift of workers out of agriculture, urbanization and the growth of megacities, raising the quality of schooling for new jobs in the digital economy and labor market policies to improve both labor standards and productivity.

Russian Learners' Dictionary Nicholas Brown, 2013-09-05 This dictionary contains 10 000 Russian words in order of importance starting with the most common and finishing with words that occur about 8 times in a million. All the words have English translations, many have examples of usage and the entries include information on stress and grammatical irregularities. There is also a complete alphabetical index to the words in the list. A learner who knows all or most of these 10 000 words can be regarded as competent in Russian for all normal purposes. The list takes you from a beginner's core vocabulary through to postgraduate level.

Facsimile Products, 1979 **The Annenbergs** John E. Cooney, 1982 This is the colorful and dramatic biography of two of America's most controversial entrepreneurs: Moses Louis Annenberg, the racing wire king who built his fortune in racketeering, invested it in publishing and lost much of it in the biggest tax evasion case in United States history, and his son Walter, launcher of TV Guide and Seventeen magazines and former ambassador to Great Britain. Jacket **Heart-life in Song** Frances Harrison Marr, 1883

Lonely Planet Colorado Lonely Planet, Benedict Walker, Greg Benchwick, Carolyn McCarthy, Christopher Pitts, Liza Prado, 2018-05-01 Lonely Planet The world's leading travel guide publisher Lonely Planet Colorado is your passport to the most relevant up to date advice on what to see and skip and what hidden discoveries await you. Hit the slopes in Aspen, discover the Old West in Durango or marvel at the splendor of the Rockies all with your trusted travel companion. Get to the heart of Colorado and begin your journey now. Inside Lonely Planet Colorado: Color maps and images throughout. Highlights and itineraries help you tailor your trip to your personal needs and interests. Insider tips to save time and money and get around like a local, avoiding crowds and trouble spots. Essential info at your fingertips: hours of operation, phone numbers, websites, transit tips, prices. Honest reviews for all budgets: eating, sleeping, sightseeing, going out, shopping, hidden gems that most guidebooks miss. Cultural insights give you a richer, more rewarding travel experience: sports, the arts, literature, festivals, wine, hiking, the old west, snow sports, distilleries, wildlife, politics, ranching, mining, marijuana, Native American history and culture. Covers Denver, Boulder, Rocky Mountain National Park, North Colorado, Vail, Aspen, Central Colorado, San Luis Valley, Southeast Colorado and more. eBook Features: Best viewed on tablet devices and smartphones. Downloadable PDF and offline maps prevent roaming and data charges. Effortlessly navigate and jump between maps and reviews. Add notes to personalise

your guidebook experience Seamlessly flip between pages Bookmarks and speedy search capabilities get you to key pages in a flash Embedded links to recommendations websites Zoom in maps and images Inbuilt dictionary for quick referencing The Perfect Choice Lonely Planet Colorado our most comprehensive guide to Colorado is perfect for both exploring top sights and taking roads less traveled About Lonely Planet Lonely Planet is a leading travel media company and the world's number one travel guidebook brand providing both inspiring and trustworthy information for every kind of traveller since 1973 Over the past four decades we've printed over 145 million guidebooks and grown a dedicated passionate global community of travellers You'll also find our content online on mobile video and in 14 languages 12 international magazines armchair and lifestyle books ebooks and more Important Notice The digital edition of this book may not contain all of the images found in the physical edition

Employment and Re-Industrialisation in Post Soeharto Indonesia Mohammad Zulfan Tadjoeuddin, Anis Chowdhury, 2018-05-15 This book studies the challenges for Indonesia once a miracle economy as it faces premature deindustrialisation rising inequality and domestic and external factors impacting its export oriented industrialization Since the fall of Soeharto Indonesia has undergone a far reaching systemic transition from centralised and autocratic governance to a highly decentralised and democratic system Complicated by regional variations the country is now being called upon to respect labour rights and amidst slow global economic recovery is facing increased competition from other low labour cost countries especially within the ASEAN Economic Community Tadjoeuddin and Chowdhury posit that Indonesia cannot recreate its past miracle based on cheap labour and suppression of labour rights It will need to move quickly to high value added activities driven by productivity growth and to develop its domestic market

Steck-Vaughn Elements of Reading Fluency Steck-Vaughn Company, Stckvagn, 2004-01-01 **Farm Implement News Buyer's Guide: A Classified Directory of Manufacturers of Farm and Garden Implements ...;** Farm Implement News Company, 2018-02-08 This work has been selected by scholars as being culturally important and is part of the knowledge base of civilization as we know it This work was reproduced from the original artifact and remains as true to the original work as possible Therefore you will see the original copyright references library stamps as most of these works have been housed in our most important libraries around the world and other notations in the work This work is in the public domain in the United States of America and possibly other nations Within the United States you may freely copy and distribute this work as no entity individual or corporate has a copyright on the body of the work As a reproduction of a historical artifact this work may contain missing or blurred pages poor pictures errant marks etc Scholars believe and we concur that this work is important enough to be preserved reproduced and made generally available to the public We appreciate your support of the preservation process and thank you for being an important part of keeping this knowledge alive and relevant

Imagine Sissa Marquardt, Markus Schmölz, 2002-08 India offers the western traveller an assault on all senses Presenting these impressions in images gathered over the years this striking colourful and virtually text free book refuses to draw

academic correlations between images Rather than offering a false completeness of one idea of India this original collection rejects cliched images of graceful Indian women and siddhus sunk in meditation wearing colourful garments which have come to typify the Western conception of contemporary Indian art and life With over 75 full colour and b w illustrations

Betty Crocker Bisquick Impossibly Easy Pies Betty Crocker Editors,2004-08-13 Make tasty dinners and desserts easy as pie Do you have a box of Bisquick on your shelf Why not whip up tempting home baked pies that are impossibly easy and impossibly delicious These pies magically make their own crust and they re a hit with kids and adults alike Whether filled with ground beef chicken cheese vegetables or fruit they re perfect any night of the week great after work or for casual get togethers and potluck suppers Try These All Time Impossibly Easy Favorites Coconut Pie Chicken and Broccoli Pie Cheesy Tuna Pie Zucchini Pie French Apple Pie Cheeseburger Pie In the Blue Pike -- Volume 03 Georg Ebers,2004 *Windows Me* Mac Bride,2000 Explains all the key aspects of this application from the user s angle from running programs and managing files to configuring printers and customising your system **Haynes Computer Manual** Kyle MacRae,2002 This full colour manual shows how easy it is to upgrade maintain and repair a PC From adding more memory to installing a DVD drive it takes the reader through each stage using plain English and clear photographs Designed to be of use for the small business student or home user the jargon free manual should save time and money and give readers a basic understanding of all areas of computer hardware and installation without blinding them with science **Haynes Computer Manual** Kyle MacRae,Paul Tanswell,Matthew Marke,2001 **Haynes Computer Manual** Kyle MacRae,2010 Following in the Haynes tradition of step by step guides this full colour manual shows how easy it is to build upgrade and repair a computer

The book delves into Acer Aspire 7551 Manual. Acer Aspire 7551 Manual is an essential topic that must be grasped by everyone, ranging from students and scholars to the general public. This book will furnish comprehensive and in-depth insights into Acer Aspire 7551 Manual, encompassing both the fundamentals and more intricate discussions.

1. The book is structured into several chapters, namely:
 - Chapter 1: Introduction to Acer Aspire 7551 Manual
 - Chapter 2: Essential Elements of Acer Aspire 7551 Manual
 - Chapter 3: Acer Aspire 7551 Manual in Everyday Life
 - Chapter 4: Acer Aspire 7551 Manual in Specific Contexts
 - Chapter 5: Conclusion
2. In chapter 1, the author will provide an overview of Acer Aspire 7551 Manual. This chapter will explore what Acer Aspire 7551 Manual is, why Acer Aspire 7551 Manual is vital, and how to effectively learn about Acer Aspire 7551 Manual.
3. In chapter 2, this book will delve into the foundational concepts of Acer Aspire 7551 Manual. This chapter will elucidate the essential principles that need to be understood to grasp Acer Aspire 7551 Manual in its entirety.
4. In chapter 3, this book will examine the practical applications of Acer Aspire 7551 Manual in daily life. The third chapter will showcase real-world examples of how Acer Aspire 7551 Manual can be effectively utilized in everyday scenarios.
5. In chapter 4, this book will scrutinize the relevance of Acer Aspire 7551 Manual in specific contexts. The fourth chapter will explore how Acer Aspire 7551 Manual is applied in specialized fields, such as education, business, and technology.
6. In chapter 5, this book will draw a conclusion about Acer Aspire 7551 Manual. This chapter will summarize the key points that have been discussed throughout the book.

The book is crafted in an easy-to-understand language and is complemented by engaging illustrations. It is highly recommended for anyone seeking to gain a comprehensive understanding of Acer Aspire 7551 Manual.

https://learningcenter.csa.ca/data/publication/fetch.php/basic_economics_with_infotrac_and_economic_applications_printed_access_card.pdf

Table of Contents Acer Aspire 7551 Manual

1. Understanding the eBook Acer Aspire 7551 Manual
 - The Rise of Digital Reading Acer Aspire 7551 Manual
 - Advantages of eBooks Over Traditional Books
2. Identifying Acer Aspire 7551 Manual
 - Exploring Different Genres
 - Considering Fiction vs. Non-Fiction
 - Determining Your Reading Goals
3. Choosing the Right eBook Platform
 - Popular eBook Platforms
 - Features to Look for in an Acer Aspire 7551 Manual
 - User-Friendly Interface
4. Exploring eBook Recommendations from Acer Aspire 7551 Manual
 - Personalized Recommendations
 - Acer Aspire 7551 Manual User Reviews and Ratings
 - Acer Aspire 7551 Manual and Bestseller Lists
5. Accessing Acer Aspire 7551 Manual Free and Paid eBooks
 - Acer Aspire 7551 Manual Public Domain eBooks
 - Acer Aspire 7551 Manual eBook Subscription Services
 - Acer Aspire 7551 Manual Budget-Friendly Options
6. Navigating Acer Aspire 7551 Manual eBook Formats
 - ePub, PDF, MOBI, and More
 - Acer Aspire 7551 Manual Compatibility with Devices
 - Acer Aspire 7551 Manual Enhanced eBook Features
7. Enhancing Your Reading Experience
 - Adjustable Fonts and Text Sizes of Acer Aspire 7551 Manual
 - Highlighting and Note-Taking Acer Aspire 7551 Manual
 - Interactive Elements Acer Aspire 7551 Manual
8. Staying Engaged with Acer Aspire 7551 Manual

-
- Joining Online Reading Communities
 - Participating in Virtual Book Clubs
 - Following Authors and Publishers Acer Aspire 7551 Manual
9. Balancing eBooks and Physical Books Acer Aspire 7551 Manual
- Benefits of a Digital Library
 - Creating a Diverse Reading Collection Acer Aspire 7551 Manual
10. Overcoming Reading Challenges
- Dealing with Digital Eye Strain
 - Minimizing Distractions
 - Managing Screen Time
11. Cultivating a Reading Routine Acer Aspire 7551 Manual
- Setting Reading Goals Acer Aspire 7551 Manual
 - Carving Out Dedicated Reading Time
12. Sourcing Reliable Information of Acer Aspire 7551 Manual
- Fact-Checking eBook Content of Acer Aspire 7551 Manual
 - Distinguishing Credible Sources
13. Promoting Lifelong Learning
- Utilizing eBooks for Skill Development
 - Exploring Educational eBooks
14. Embracing eBook Trends
- Integration of Multimedia Elements
 - Interactive and Gamified eBooks

Acer Aspire 7551 Manual Introduction

In today's digital age, the availability of Acer Aspire 7551 Manual books and manuals for download has revolutionized the way we access information. Gone are the days of physically flipping through pages and carrying heavy textbooks or manuals. With just a few clicks, we can now access a wealth of knowledge from the comfort of our own homes or on the go. This article will explore the advantages of Acer Aspire 7551 Manual books and manuals for download, along with some popular platforms that offer these resources. One of the significant advantages of Acer Aspire 7551 Manual books and manuals for download is the cost-saving aspect. Traditional books and manuals can be costly, especially if you need to purchase several of them for

educational or professional purposes. By accessing Acer Aspire 7551 Manual versions, you eliminate the need to spend money on physical copies. This not only saves you money but also reduces the environmental impact associated with book production and transportation. Furthermore, Acer Aspire 7551 Manual books and manuals for download are incredibly convenient. With just a computer or smartphone and an internet connection, you can access a vast library of resources on any subject imaginable. Whether you're a student looking for textbooks, a professional seeking industry-specific manuals, or someone interested in self-improvement, these digital resources provide an efficient and accessible means of acquiring knowledge. Moreover, PDF books and manuals offer a range of benefits compared to other digital formats. PDF files are designed to retain their formatting regardless of the device used to open them. This ensures that the content appears exactly as intended by the author, with no loss of formatting or missing graphics. Additionally, PDF files can be easily annotated, bookmarked, and searched for specific terms, making them highly practical for studying or referencing. When it comes to accessing Acer Aspire 7551 Manual books and manuals, several platforms offer an extensive collection of resources. One such platform is Project Gutenberg, a nonprofit organization that provides over 60,000 free eBooks. These books are primarily in the public domain, meaning they can be freely distributed and downloaded. Project Gutenberg offers a wide range of classic literature, making it an excellent resource for literature enthusiasts. Another popular platform for Acer Aspire 7551 Manual books and manuals is Open Library. Open Library is an initiative of the Internet Archive, a non-profit organization dedicated to digitizing cultural artifacts and making them accessible to the public. Open Library hosts millions of books, including both public domain works and contemporary titles. It also allows users to borrow digital copies of certain books for a limited period, similar to a library lending system. Additionally, many universities and educational institutions have their own digital libraries that provide free access to PDF books and manuals. These libraries often offer academic texts, research papers, and technical manuals, making them invaluable resources for students and researchers. Some notable examples include MIT OpenCourseWare, which offers free access to course materials from the Massachusetts Institute of Technology, and the Digital Public Library of America, which provides a vast collection of digitized books and historical documents. In conclusion, Acer Aspire 7551 Manual books and manuals for download have transformed the way we access information. They provide a cost-effective and convenient means of acquiring knowledge, offering the ability to access a vast library of resources at our fingertips. With platforms like Project Gutenberg, Open Library, and various digital libraries offered by educational institutions, we have access to an ever-expanding collection of books and manuals. Whether for educational, professional, or personal purposes, these digital resources serve as valuable tools for continuous learning and self-improvement. So why not take advantage of the vast world of Acer Aspire 7551 Manual books and manuals for download and embark on your journey of knowledge?

FAQs About Acer Aspire 7551 Manual Books

What is a Acer Aspire 7551 Manual PDF? A PDF (Portable Document Format) is a file format developed by Adobe that preserves the layout and formatting of a document, regardless of the software, hardware, or operating system used to view or print it. **How do I create a Acer Aspire 7551 Manual PDF?** There are several ways to create a PDF: Use software like Adobe Acrobat, Microsoft Word, or Google Docs, which often have built-in PDF creation tools. Print to PDF: Many applications and operating systems have a "Print to PDF" option that allows you to save a document as a PDF file instead of printing it on paper. Online converters: There are various online tools that can convert different file types to PDF. **How do I edit a Acer Aspire 7551 Manual PDF?** Editing a PDF can be done with software like Adobe Acrobat, which allows direct editing of text, images, and other elements within the PDF. Some free tools, like PDFescape or Smallpdf, also offer basic editing capabilities. **How do I convert a Acer Aspire 7551 Manual PDF to another file format?** There are multiple ways to convert a PDF to another format: Use online converters like Smallpdf, Zamzar, or Adobe Acrobats export feature to convert PDFs to formats like Word, Excel, JPEG, etc. Software like Adobe Acrobat, Microsoft Word, or other PDF editors may have options to export or save PDFs in different formats. **How do I password-protect a Acer Aspire 7551 Manual PDF?** Most PDF editing software allows you to add password protection. In Adobe Acrobat, for instance, you can go to "File" -> "Properties" -> "Security" to set a password to restrict access or editing capabilities. Are there any free alternatives to Adobe Acrobat for working with PDFs? Yes, there are many free alternatives for working with PDFs, such as: LibreOffice: Offers PDF editing features. PDFsam: Allows splitting, merging, and editing PDFs. Foxit Reader: Provides basic PDF viewing and editing capabilities. How do I compress a PDF file? You can use online tools like Smallpdf, ILovePDF, or desktop software like Adobe Acrobat to compress PDF files without significant quality loss. Compression reduces the file size, making it easier to share and download. Can I fill out forms in a PDF file? Yes, most PDF viewers/editors like Adobe Acrobat, Preview (on Mac), or various online tools allow you to fill out forms in PDF files by selecting text fields and entering information. Are there any restrictions when working with PDFs? Some PDFs might have restrictions set by their creator, such as password protection, editing restrictions, or print restrictions. Breaking these restrictions might require specific software or tools, which may or may not be legal depending on the circumstances and local laws.

Find Acer Aspire 7551 Manual :

basic economics with infotrac and economic applications printed access card

barrons regents exams and answers comprehensive english

basic documents on international trade law 4th revised edition

barometer ipad

~~barnes and noble york pa~~

barrons ap european history 7th edition revised

barber colman hobbing machine manual

bariatric surgery cookbook

~~barcelona blue guide barcelona~~

barron s 6 act practice tests

bartleby of the mighty mississippi

basher basics grammar

barrons websters timeline history 1603 2007

~~basic electrical telugu~~

barock rokoko meisterwerke 17 jahrhunderts

Acer Aspire 7551 Manual :

review the rise of tiamat d d strange assembly - Mar 16 2023

web apr 14 2015 in the rise of tiamat the cult of the dragon with the fractious support of the chromatic dragons and exiled red wizards of thay is attempting to physically bring the goddess tiamat into the forgotten realms where they presumably hope to usher in a new era of dragon power that won t involve tiamat first eating them as an appetizer

rise of tiamat rise of tiamat sources d d beyond - May 18 2023

web rise of tiamat avert the cataclysmic return of tiamat in this adventure for the world s greatest roleplaying game view cover art view introduction

what an ambush a review of the rise of tiamat geek native - Sep 10 2022

web dec 7 2014 the rise of tiamat is an adventure in wizards of the coast s tyranny of dragons series it follows on from the hoard of the dragon queen and while on the whole it is a good book it packs one heck of an ambush

the rise of tiamat dungeons dragons by wizards rpg team - Jun 19 2023

web nov 4 2014 the rise of tiamat dungeons dragons hardcover november 4 2014 the cult of the dragon leads the charge in an unholy crusade to bring tiamat back to the realms and the situation grows more perilous for good people with each passing moment

rise of tiamat search d d beyond - Apr 17 2023

web the competitive avarice of dragonkind and the interference of adventurers prevent most dragons from attaining this

level of power but a chromatic dragon who can outwit all rivals and overcome all potential thieves can rise to become one of the mightiest of dragons often a chromatic greatwyrms

the rise of tiamat d d adventure dungeons dragons 5th - Feb 03 2022

web the rise of tiamat d d adventure dungeons dragons 5th edition next visit the dungeons

the rise of tiamat amazon ca - Dec 01 2021

web the second of two adventures in the tyranny of dragons story arc the rise of tiamat provides everything a dungeon master needs to create an exciting and memorable adventure experience fans of the dungeons dragons roleplaying game can get a sample of what this product has in store for them through the d d encounters in store

the rise of tiamat d d adventure hardcover amazon de - Jun 07 2022

web hardcover do you want to recycle your electrical and electronic equipment for free learn more avert the cataclysmic return of tiamat in this adventure for the world's greatest roleplaying game

the rise of tiamat forgotten realms wiki fandom - Aug 21 2023

web the rise of tiamat designed by kobold press and the wizards rpg team is an adventure module set in the forgotten realms using the dungeons dragons 5th edition ruleset it focuses on the cult of the dragon's efforts to summon tiamat the goddess of chromatic dragons

the rise of tiamat module review master the dungeon - Jul 20 2023

web jun 21 2019 the rise of tiamat is the second and final installment of the tyranny of dragons adventure from the wizards dnd team the adventure picks up following the events of the hoard of the dragon queen module this 96 page dnd module was also designed and built in part by kobold press

the rise of tiamat adventure lookup - Dec 13 2022

web the cult of the dragon leads the charge in an unholy crusade to bring tiamat back to the realms and the situation grows more perilous for good people with each passing moment the battle becomes increasingly political as opportunities to gather allies and gain advantage present themselves all centered in waterdeep continuation of hoard of the

the rise of tiamat the old bard - Jan 02 2022

web the second of two adventures in the tyranny of dragons story arc the rise of tiamat provides everything a dungeon master needs to create an exciting and memorable adventure experience fans of the dungeons dragons roleplaying game can get a sample of what this product has in store for them through the d d encounters in store

d d the rise of tiamat for fantasy grounds - Mar 04 2022

web 19 99 buy on steam buy avert the cataclysmic return of tiamat in this adventure for the world's greatest roleplaying game an adventure for characters level 8 through 15 the cult of the dragon leads the charge in an unholy crusade to bring

tiamat back to the realms and the situation grows more perilous for good people with each passing moment

the of - Oct 11 2022

web tyranny of dragons tyranny of dragons the rise of tiamat is a dungeons dragons adventure for characters beginning at 8th level and the continuation of the first volume hoard of the dragon queen by the time the adventure runs its course the characters should reach 15th level or be close to it four characters is the ideal party size

the rise of tiamat wikipedia - Sep 22 2023

web the rise of tiamat is an adventure module for the 5th edition of the dungeons dragons fantasy role playing game plot summary edit the rise of tiamat along with the previous adventure hoard of the dragon queen pits players against tiamat

the rise of tiamat dungeons dragons lore wiki fandom - Jan 14 2023

web the rise of tiamat 2014 is an adventure module for dungeons dragons 5th edition it is the second of two modules in the tyranny of dragons storyline an online supplement was provided for using the adventure without access to the monster manual 5e 2014 or the dungeon master s guide 5e 2014 the rise of tiamat was designed by kobold

the rise of tiamat adventure summary guide and review - Oct 23 2023

web nov 8 2023 the rise of tiamat is an adventure book released by wotc that puts players up against a dangerous cult seeking to unleash tiamat from her prison in the nine hells if that sounds familiar you might recognize another adventure book called hoard of the dragon queen

buy fantasy grounds dungeons dragons the rise of tiamat - Feb 15 2023

web sep 8 2023 avert the cataclysmic return of tiamat in this adventure for the world s greatest roleplaying game the cult of the dragon leads the charge in an unholy crusade to bring tiamat back to the realms and the situation grows more perilous for good people with each passing moment

d d 5e campaign rise of tiamat s4 ep6 youtube - Aug 09 2022

web join us on an epic adventureset in the world of faerun and the adventure of rise of tiamat a thrilling campaign using d d 5e follow our adventurers as they confront the powerful cult of the

the rise of tiamat d d wiki - Nov 12 2022

web avert the cataclysmic return of tiamat in this adventure for the world s greatest roleplaying game the cult of the dragon leads the charge in an unholy crusade to bring tiamat back to the realms and the situation grows more perilous for good people with each passing moment

the rise of tiamat a dm s and player s overview - Apr 05 2022

web jul 1 2007 through the player characters investigation and the cult s own actions the truth about rezmir s plans for the sword coast is revealed and the adventurers become famous heroes with well known reputations those two changes lead to a

noticeably different structure and tone in the rise of tiamat

d d 5e adventure the rise of tiamat rpgs dungeons and - Jul 08 2022

web avert the cataclysmic return of tiamat in this adventure for the world s greatest roleplaying game the cult of the dragon leads the charge in an unholy crusade to bring tiamat back to the realms and the situation grows more perilous for good people with each passing moment the battle becomes increasingly political as opportunities to gather

the rise of tiamat d d adventure dungeons dragons 5th - May 06 2022

web the rise of tiamat d d adventure dungeons dragons 5th edition next amazon in toys games

solutions manual for fundamentals of investments valuation and - Dec 26 2021

web apr 9 2023 fundamentals of investing 11th edition solutions manual title solution manual for fundamentals of investment management 10th edition by hirt edition

solutions manual for fundamentals of investment management - Oct 24 2021

the world s learning company pearson - Jan 07 2023

web get access fundamentals of investment management 10th edition solutions manual now our textbook solutions manual are written by crazyforstudy experts

fundamentals of investment management 10th edition hirt - Feb 08 2023

web fundamentals of investing is a comprehensive textbook that covers the essential concepts and principles of investing it provides students with the knowledge and skills to make

fundamentals of investment management 10th edition - Sep 15 2023

web fundamentals of investment management 10th edition hirt solutions manual free download as pdf file pdf text file txt or read online for free solutions manual

fundamentals of investment management 10th edition hirt - Aug 14 2023

web aug 31 2018 solution manual fundamentals of investment management 10th edition by geoffrey a hirt textbook table of contents chapter 1 the investment setting

fundamentals of investment management 10th edition solutions - Nov 05 2022

web ch 4 mutual funds and other investment companies part two stock markets ch 5 the stock market ch 6 common stock valuation ch 7 stock price behavior and

solution manual fundamentals of investment management 10th - Jul 13 2023

web fundamentals of investing solutions manual get access now with get started select your edition below by 13th edition author lawrence j gitman michael d joehnk scott

fundamentals of investment management 10th edition hirt - Feb 25 2022

web fundamentals of investment management 10th edition rent solution manual fundamentals of investment management 10th fundamentals of investment

solutions manual for investments 10th edition ism - Aug 02 2022

web solutions manual chapter 1 the investment setting answers to text discussion questions 1 how is an investment defined 1 1 an investment is the

solutions manual for fundamentals of investing 10th edition by - Mar 09 2023

web apr 7 2019 full download goo gl 9ap2r3 fundamentals of investment management 10th edition hirt solutions manual fundamentals of investment

fundamentals of investment management 10th edition - May 11 2023

web solved expert answers for fundamentals of investment management 10th edition by geoffrey hirt and stanley block instant access with 24 7 expert assistance

fundamentals of investment management 10th edition solutions - Jan 27 2022

web may 29 2018 solutions manual for fundamentals of physics extended 10th edition by halliday may 4 2018 solutions manual for fundamentals of information systems 8th

solution manual for fundamentals of investment management - Jul 01 2022

web fundamentals of investment management 10e hirt block solution manual at test bank discount price bundle download fundamentals of deployment leitung 10e hirt block

fundamentals of investments valuation and - Oct 04 2022

web step by step solution step 1 of 7 a structure of investment process the investment process involves the interaction between the suppliers and demanders of funds the

fundamentals of investment management 10th edition solutions - Dec 06 2022

web fundamentals of investment management 10th edition solutions right here we have countless book fundamentals of investment management 10th edition solutions and

fundamentals of investing 10th edition solutions manual - Apr 29 2022

web instantly download solutions manual for fundamentals of investment management 10th edition by hirt from trusted source provides a thousand solutions manual and test

fundamentals of investment management 10e hirt block - May 31 2022

web fundamentals of investing 10th edition solutions manual this is likewise one of the factors by obtaining the soft documents of this fundamentals of investing 10th edition

fundamentals of investing 11th edition solutions manual - Nov 24 2021

web complete downloadable solutions manual for fundamentals of investment management 10th edition by hirt instructor resource information title

[solutions manual for fundamentals of investment management](#) - Mar 29 2022

web description fundamentals of investment management 10th edition hirt solutions manual this is not the text book you are buying solutions manual for

[solution for fundamentals of investment management 10th](#) - Apr 10 2023

web complete downloadable solutions manual for fundamentals of investing 10th edition by gitman instructor resource information title fundamentals of

[fundamentals of investing solution manual chegg com](#) - Jun 12 2023

web now with expert verified solutions from fundamentals of investment management 10th edition you ll learn how to solve your toughest homework problems our resource for

fundamentals of investing 13th edition textbook solutions chegg - Sep 03 2022

web sep 19 2016 this only includes the solutions for investments 10th edition pdf by bodie kane and marcus this manual provides detailed solutions to the end of chapter

[kawasaki fe400 engine service manual pdf download](#) - Jan 28 2022

club car fe400 401cc exchange golf cart engine kawasaki - Sep 04 2022

web mar 30 2023 find many great new used options and get the best deals for oil filter for kawasaki engine fe400d 13 hp 13hp at the best online prices at ebay free shipping

kawasaki fc400v 13 0 hp small vertical engine - Apr 11 2023

web myparts foam air filter for kawasaki 4 stroke engine model fe400 pn 11013 2188 opens in a new window or tab brand new c 4 57 top rated seller top rated seller

[kawasaki fe400 13 hp engine harvard university](#) - Mar 30 2022

web kawasaki fe400 13 hp engine pdf unveiling the magic of words a review of kawasaki fe400 13 hp engine pdf in some sort of defined by information and interconnectivity the

kawasaki fe400d cs04 4 stroke engine parts replacement - Dec 27 2021

kawasaki fj400d 13 0 hp small engine review and - Jul 14 2023

web fe400 kawasaki engine 13hp tapered shaft 1 25 4mm shaft over head valve recoil start oil alert

oil filter for kawasaki engine fe400d 13 hp 13hp ebay - Feb 26 2022

kawasaki 13hp engine for sale ebay - Aug 03 2022

web kawasaki fe400 engine service manual kawasaki fe400 engine service manuals are available for immediate download
this service is available for only 5 95 per download

kawasaki fe400d parts lookup by model jacks small engines - Jun 01 2022

web kawasaki carburetor 15003 2835 fe400d 4 stroke engine genuine for sale online ebay

technical downloads kawasaki engines kawasaki - Jan 08 2023

web kawasaki fe400d as04 4 stroke engine fe400d exploded view parts lookup by model complete exploded views of all the
major manufacturers it is easy and free

kawasaki carburetor 15003 2835 fe400d 4 stroke engine - Nov 25 2021

fe400dg kawasaki 13hp generator shaft engine fe400dg - Jun 13 2023

web mar 21 2021 nov 11 2019 i need to replace my kawasaki fe400d engine 1 my kawasaki 13hp fe400d in my 2002 mhghs
let go catastrophically at the weekend and

kawasaki fe400 13 hp engine pdf full pdf voto uncal edu - Sep 23 2021

kawasaki fe400d fe400g 13 0 hp general purpose engine - Aug 15 2023

web jun 6 2018 kawasaki fe400d fe400g 13 0 hp general purpose engine specifications horsepower and torque cylinder
compression valve clearance oil type and capacity service data and torque specs

kawasaki engines parts lookup kawasaki engines usa - Oct 25 2021

kawasaki fe400 engine for sale ebay - May 12 2023

web oem e z go kawasaki fj400d engine 401 cc 24 47 cu in single cylinder ohv air cooled 4 stroke gasoline engine with
horizontal shaft meets us epa and california exh

kawasaki fe400d as04 4 stroke engine fe400d parts diagrams - Jul 02 2022

web fix your fe400d 4 stroke engine cs04 today we offer oem parts detailed model diagrams symptom based repair help and
video tutorials to make repairs easy

ezgo golf cart fe400 13 hp engine motor running - Oct 05 2022

web kawasaki fe400 13 hp engine kawasaki fe400 13 hp engine as recognized adventure as capably as experience just about

lesson amusement as competently as contract can

engine i need to replace my kawasaki fe400d engine lawn - Feb 09 2023

web kawasaki fh381v vertical shaft 13 hp engine cam shaft camshaft tappet 491187009 opens in a new window or tab pre owned c 32 80 top rated seller top rated

e z go oem replacement 13 5 hp kawasaki engine arctic cat - Dec 07 2022

web kawasaki fe400d parts diagrams fe400d as00 4 stroke engine fe400d fe400d as01 4 stroke engine fe400d fe400d as04 4 stroke engine fe400d fe400d bs01 4

kawasaki engine fe400 for sale ebay - Nov 06 2022

web caltric 2 pack oil filter compatible with kawasaki engine fe400d fe 400d 400 13 hp 13hp 13 hp 1500 free delivery mon sep 18 small business kawasaki fx730v s00

amazon com 13 hp kawasaki engine - Apr 30 2022

web efi technology critical power genuine parts parts lookup ktech 4 cycle engine oil ktech blend 2 cycle engine oil ktech bar chain oil ktech blend

kawasaki fe400d engine fe engines psep biz - Mar 10 2023

web 866 53 a rebuild engine brought within factory specs that includes at minimum new rings in precision honed bores with a complete set of new gaskets and seals including